

- General Actuators for:
- Torque:
- Open/Close control:

- Modulating control:

DN700...1200 Butterfly Valves
5000...20000Nm
EXT-HH-9032/4025
EXT-HH-9033/4026
EXT-HH-9034/4027
EXT-HH-9032CP/4025
EXT-HH-9033CP/4026
EXT-HH-9034CP/4027


Technical data

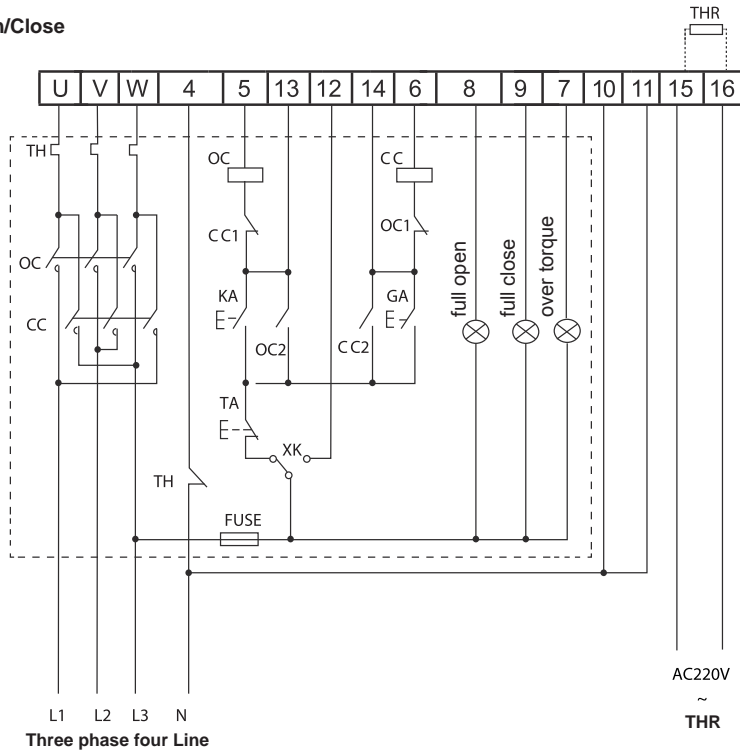
Electrical Data		
Nominal voltage	AC 380V ±10%	3-PH, 50Hz
Nominal voltage range	AC 342...418V	3-PH, 50Hz
Connecting cable	M33 cable connector, screw terminals	
Motor protection	F class	
Gear train	Steel	
Control/Position feedback signal	DC 4..20mA	
Sensitivity	1.5% input signal	
Angle of rotation	90°	
Position indicator	Top mounted domed indication	
Ambient temp.	EXT-HH-903...	-20°C..+60°C
Humidity	5...95% RH, non-condensing	
Degree of protection	IP67	
Manual Operation	Manual by override handwheel	
Housing material	Cast iron	

Model No.	Torque (Nm)	Motorpower for reference (kW)	Running time 90° (s)	Running current of motor (A)	Manual override	Weight (kg)
EXT-HH-9032..	5000	0.37	75	2.10	Handwheel	120
EXT-HH-9033..	10000	0.75	75	2.80	Handwheel	210
EXT-HH-9034..	20000	1.50	75	5.40	Handwheel	210

Trade Selection by Belimo

Wiring diagrams

Open/Close

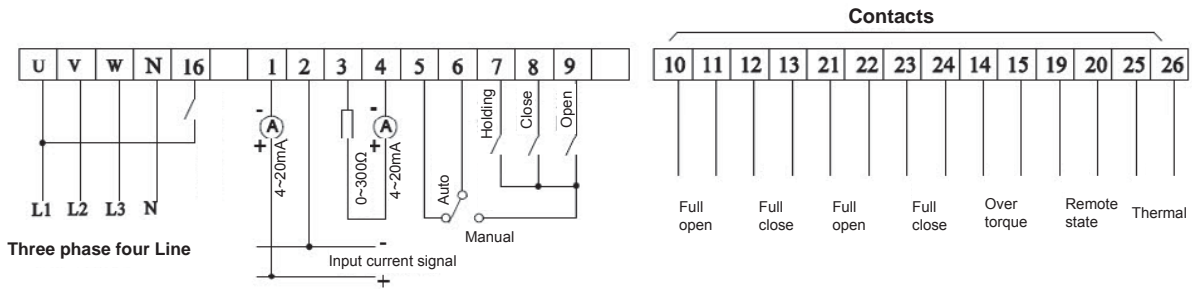


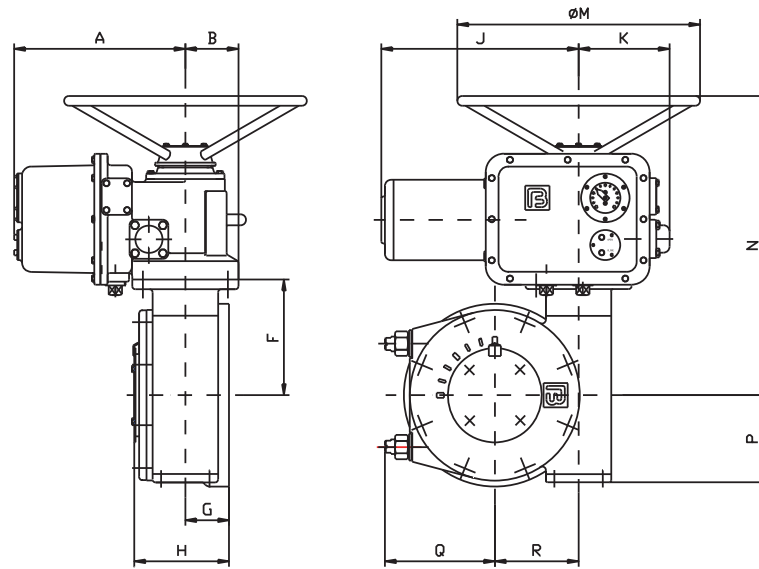
Description (self-prepared by user)

XK	Local/remote selector
KA, GA, TA	Open,close,stop rotate button
OC, CC	Open,close contact
TH	Thermal overload relay
FUSE	Fuse in control circuit

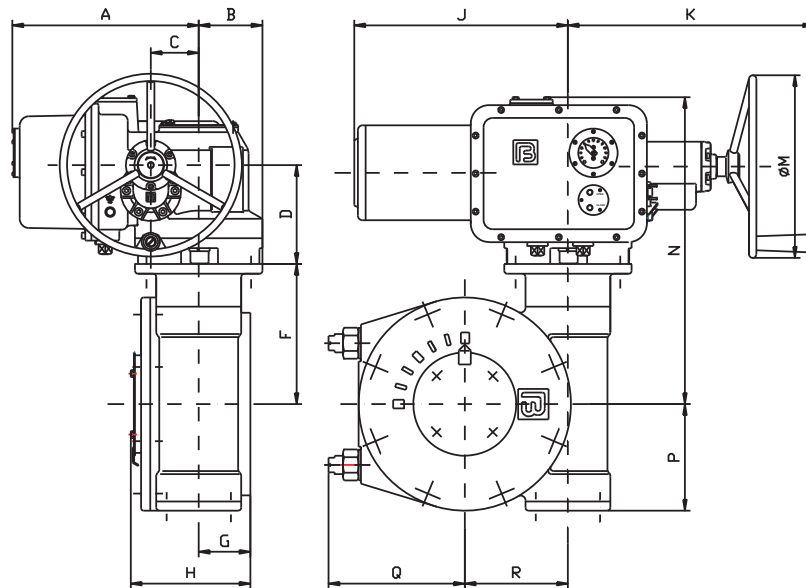
Notes: The electric circuit in the dashed frame is for reference only.

Modulating



Dimensions [mm]


Type	Output Torque Nm	Gear Ratio	A	B	C	D	F	G	H	J	K	M	N	P	Q	R
EXT-HH-9032/4025	5000	56	285	87.5	-	-	192	72	160	360	155	400	494	154	180	138



Type	Output Torque Nm	Gear Ratio	A	B	C	D	F	G	H	J	K	M	N	P	Q	R
EXT-HH-9033/4026	10000	56	311	113	79	160	230	85	195	487	400	300	506	188	230	170
EXT-HH-9034/4027	20000	56	334	150	98	172	280	105	228	508	450	400	563	232	255	202

V8.1 05.2018-Subject to modification