

Aktor M

Motorised Actuator

On/Off / Floating Control



Motorised actuators are used in the heating, ventilation and air conditioning trades. The actuators can be used for room temperature control, among other things.

In combination with Oventrop thermostatic valves and heating circuit manifolds for surface heating, ceiling cooling systems as well as fan coil units and Oventrop room thermostats, they enable individual room temperature control.

The actuators open or close a valve depending on the applied control voltage.

In addition, in conjunction with temperature controllers with output for floating control (e.g. boiler control) and e.g. Oventrop three-way valves, they allow individual control of the flow temperature of heating systems.

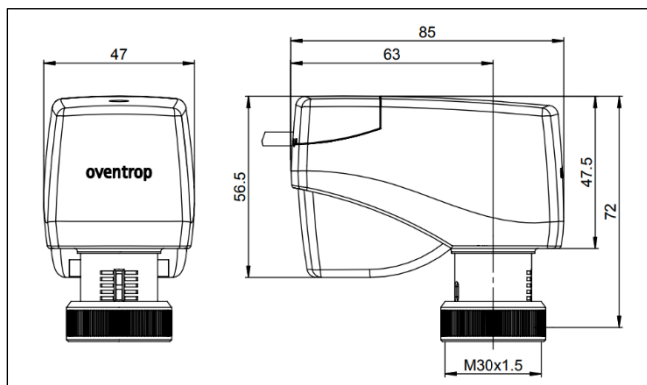
Features

- Silent operation
- Low power consumption
- Manual adjustment
- DIP switch

Aktor M Motorised Actuator

The actuator can be operated via the manual adjustment in a de-energised state using a 4 mm Allen key. The integrated slipping clutch protects the gearbox from excessive operating forces.

As an alternative to the factory-connected connection cable, the integrated connection terminals allow direct connection to an installation cable laid on site without an additional clamping connection.



Dimensions

Range of application, installation and mounting

The electrical connections must comply with the regulations of the local Electricity Board.

The connection cable must not be laid on heat-carrying pipes or the like, as this accelerates the ageing of the cable material.

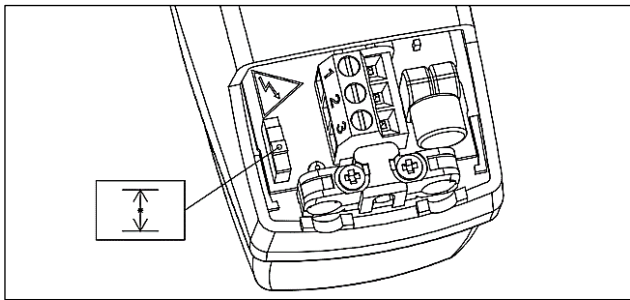
Technical Data

Item no.	1012729
Connection thread	M 30 x 1.5
Operating voltage	230 V AC \pm 10 %; 50 / 60 Hz
Power consumption	
Dimensioning:	4.4 VA (24 V AC)
Nominal:	2.6 VA (24 V DC)
Switch-on current	Short-term max. 10 A
Control	On/off / floating Turn-on time 2s
Connection	Fixed pre-mounted cable 1.5 m; 3 x 0.75 mm ²
Positioning stroke	Max. 4 mm
Positioning time	Approx. 22 s/mm
Positioning force	Nominal 150 N
Colour	RAL 9010 (pure white)
Installation	Position-independent, <u>except</u> for mounting hanging downwards
Protection type	IP 40 according to EN 60529
Protection class	II according to EN 60730
Medium temperature	0...120 °C
Ambient/storage temperature	0...50 °C
Ambient/storage humidity	0...85 % r. h., non-condensing

DIP switch setting

The DIP switch is located below the cover, which is secured with a Torx screw.

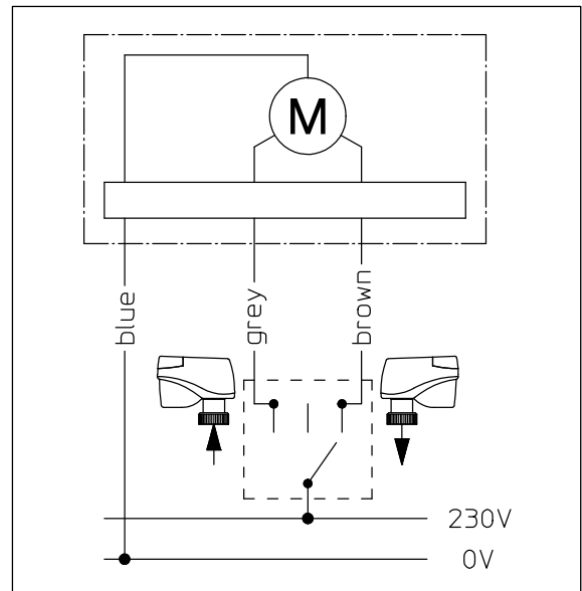
By actuating the DIP switch, an initialisation run for closing point adjustment can be specifically triggered.



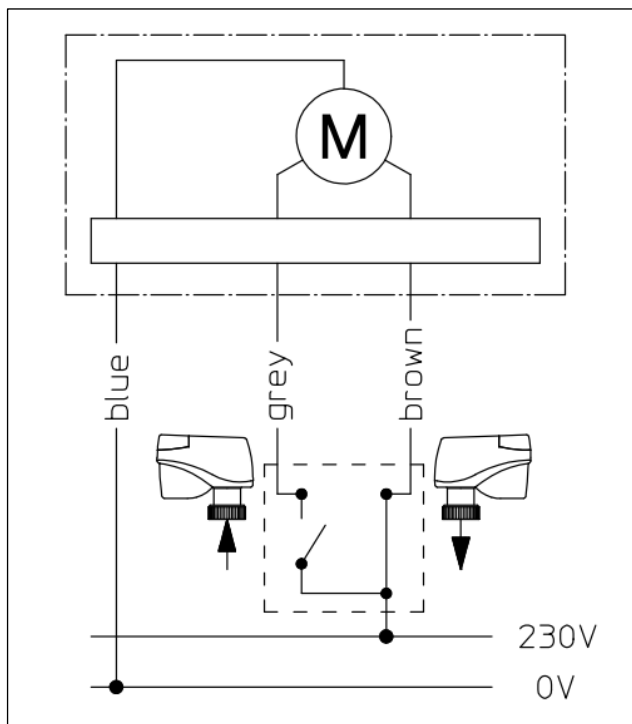
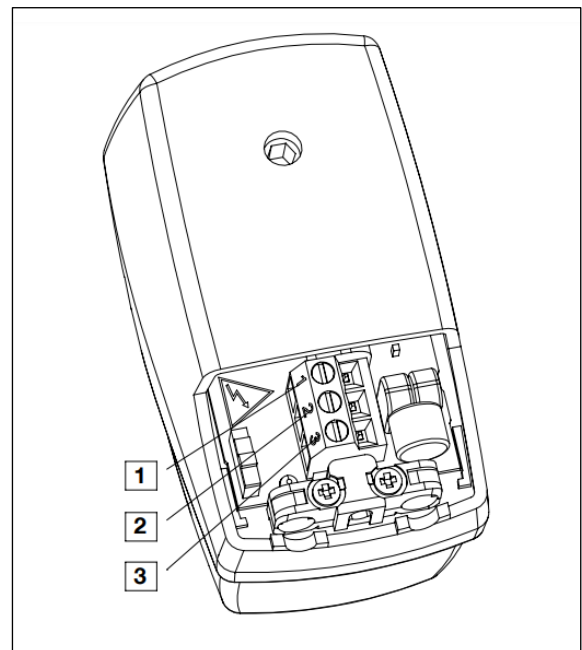
DIP switch



Manual adjuster and position indicator



Wiring diagram, floating control



Wiring diagram, on/off control

(1)	0 V AC	blue BU
(2)	230 V AC	brown BN (▼)
(3)	230 V AC	grey GY (▲)

Subject to change • All rights reserved • © 2023 Oventrop GmbH & Co. KG
EN-12201-1012729-DB-V2301 – January 2023