

Aktor M

Motorised Actuators






Motorised actuators are used in the heating, venting and air conditioning trades. The actuators can be used for room temperature control, among other things.

The Aktor M motorised actuators are modulating 0-10 V actuators that also feature either on/off or floating control. All actuators have 0-10 V position feedback. For Oventrop valves there are suitable adapters to connect the actuators to the valves.

Features

- + Automatic recognition of the control signal
- + Maintenance-free
- + Manual adjustment possible

Product Overview

		
Item no. 1158011 (24 V AC/DC)	Item no. 1158012 (24 V AC/DC)	Art.-Nr. 1158013 (24 V AC/DC)
Modulating with 0 – 10 V or switching as on/off or floating actuator Without adapter	Modulating with 0 – 10 V or switching as on/off or floating actuator With adapter	Modulating with 0 – 10 V or switching as on/off actuator With adapter and emergency control function (failsafe)

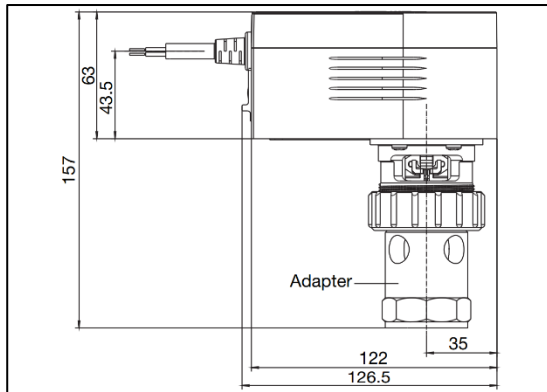
Product Details

Aktor M

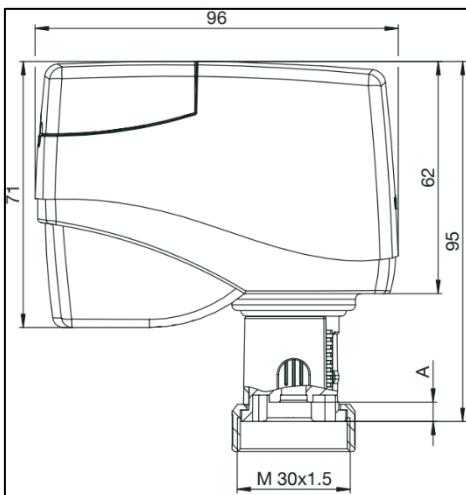
Functions

- Synchronous motor with control and switch-off technology
- Electronic end position detection and motor switch-off by means of a timer switch
- Maintenance-free gearbox with magnetic clutch

The valve can be positioned by hand due to a gearbox that can be disengaged. To do this, the sliding switch on the side must be actuated and the actuator brought into the desired position with the enclosed key.



Dimensions of the actuator item no. 1158011



Dimensions of the actuators item no. 1158012/13

Technical Data Item No. 1158011

Operating voltage	24 V AC/DC
Power consumption	8.7 W in stroke end positions 4.9 W during operation
Control	0...10 V, floating, on/off
Max. stroke	10 mm
Positioning force	500 N
Positioning time	7.5 / 15 s / mm
Protection type	IP 54 according to EN 60529
Max. media temperature	120 °C
Ambient temperature	-10...55 °C

Technical Data Item No. 1158012/13

Operating voltage	24 V AC/DC
Power consumption	4 VA AC; 1.9 W DC
Switch-on current	Short-term max. 10 A
Control	0 (2)...10 V, floating (item no. 1158012), on/off
Position feedback	0...10 V DC; 5 mA for 0...100% positioning stroke; invertible
Connection	Fixed pre-mounted cable 1.5 m 5 x 0.5 mm ²
Max. stroke	10 mm
Positioning force	500 N
Positioning time	22 s/mm
Protection type	IP 54 according to EN 60529
Protection class	III according to EN 60730
Max. medium temperature	120 °C
Ambient temperature	0...55 °C

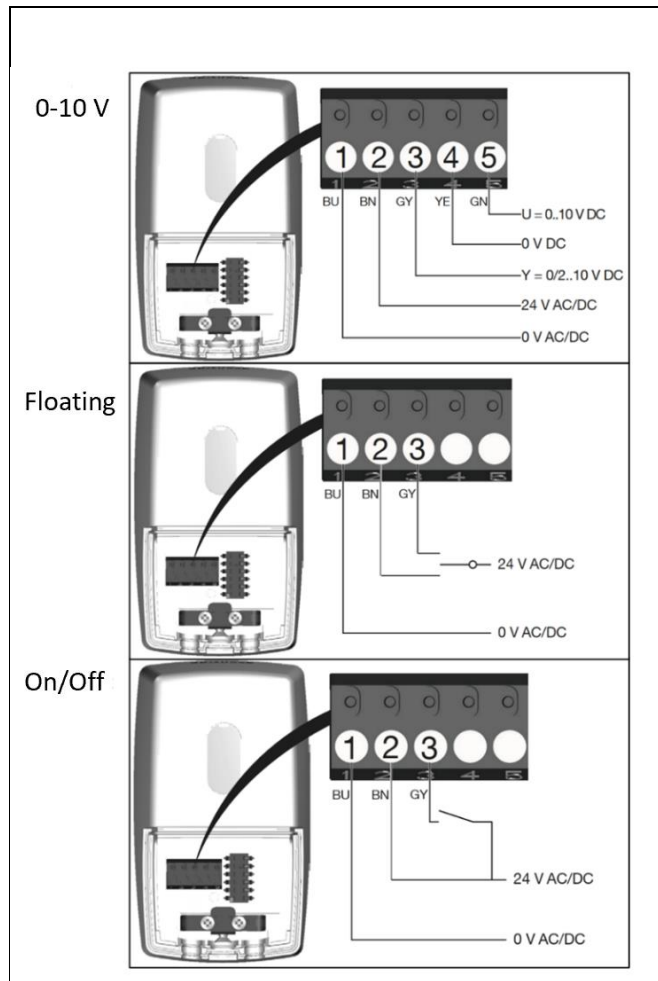
Range of application, installation and mounting

The electrical connection must comply with the regulations of the local Electricity Board.

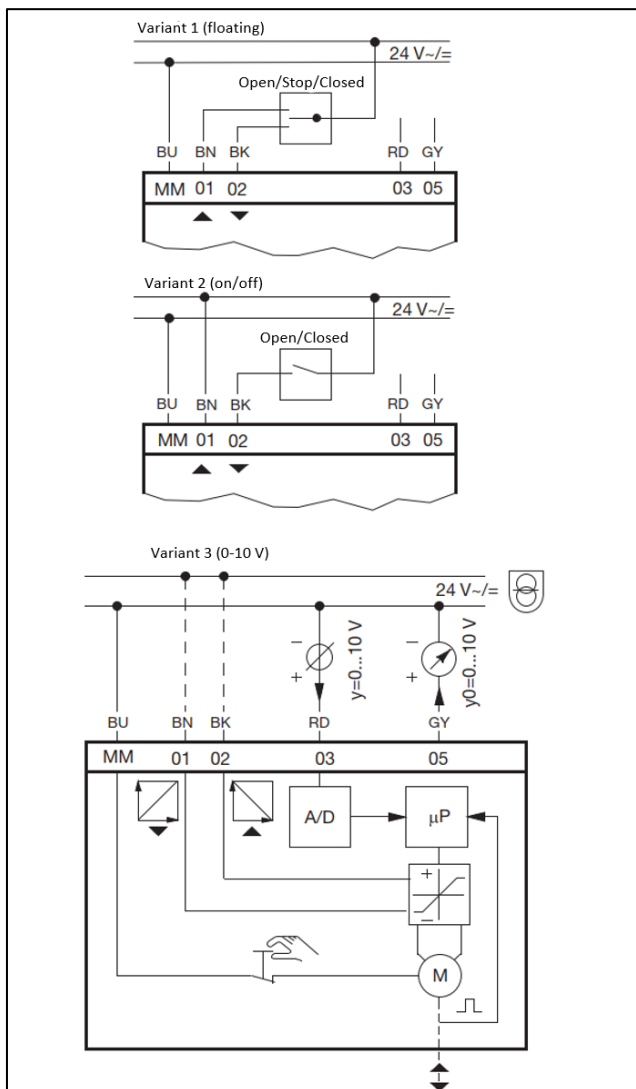
The connecting cable must not be laid on heat-carrying pipes or the like, as this accelerates the ageing of the cable material.

The Oventrop motorised actuators can be operated in all installation positions.

Depending on the wiring (see wiring diagrams), the actuators item no. 1158011/12/13 can be used as floating, on/off or 0-10 V actuator.



Wiring diagrams item no. 1158012/13, floating only item no. 1158012



Wiring diagrams item no. 1158011

Subject to changes • All rights reserved • © 2023 Oventrop GmbH & Co. KG
EN-12201-115801-DB-V2329 – Juli 2023

Oventrop GmbH & Co. KG • Paul-Oventrop-Straße 1 • 59939 Olsberg • Germany
T +49 2962 820 • mail@oventrop.com • www.oventrop.com