

Aktor M

Motorised Actuators



Motorised actuators are used in the heating, venting and air conditioning trades. The actuators can be used for room temperature control, among other things.

The Aktor M motorised actuators are modulating 0(2)-10 V or 0(4)-20 mA actuators that also feature either on/off or floating control. All actuators have 0-10 V position feedback. For Oventrop valves there are suitable adapters to connect the actuators to the valves.

Depending on the version, the actuators are available with spring return as normally closing or normally opening, so that the actuator can be used for various applications in an emergency.

Features

- + Automatic recognition of the control signal
- + Maintenance-free
- + Manual adjustment possible

Product Overview



Item no. 1158020 (24 V AC/DC)

Modulating with 0(2)...10 V or switching as on/off or floating actuator
Adjustable characteristic line



Item no. 1158021 (24 V AC)

Modulating with 0(2)...10 V or 0(4)...20 mA or switching as on/off or floating actuator
Linear characteristic line
With spring return
Valves normally opening



Item no. 1158022 (24 V AC)

Modulating with 0(2)...10 V or 0(4)...20 mA or switching as on/off or floating actuator
Linear characteristic line
With spring return
Valves normally closing

Product Details

Aktor M Item No. 1158020

Functions

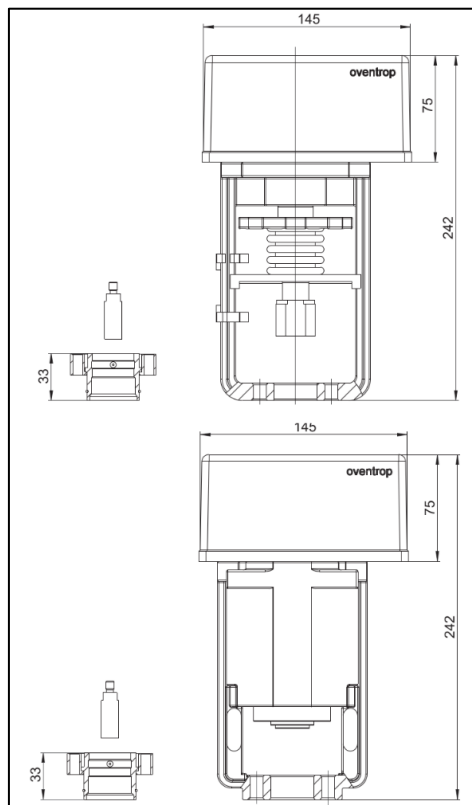
- Electronic, force-dependent switching
- Compensation of external disturbances through dynamic hysteresis
- Adjustable characteristic line
- Valve blocking protection, short stroke movement if the actuator has not been moved within 24 h (optionally adjustable)
- Automatic stroke adjustment through initialisation
- Maintenance-free

LED Display

LED display	Meaning
LED lights up permanently	Normal mode
slow flashing	Initialisation run
Asymmetrical, fast flashing	Valve blocked or manual adjustment
Off	Mains supply interrupted or actuator fuse defective

Technical Data

Operating voltage	24 V AC/DC
Power consumption	4,8 W during operation and in stroke end positions
Control	On/off (Open/Closed) Floating (Open/Stop/Closed) 0(2)...10 V
Max. stroke	20 mm
Positioning force	800 N
Positioning time	9 s / mm
Protection type	IP 54 according to EN 60529
Max. medium temperature	120 °C
Ambient temperature	0...50 °C
Storage temperature	0...50 °C
Actuator	reversible synchronous motor



Dimensions

Aktor M Art.-Nr.: 1158021/22

Functions

- Electronic, force-dependent switching
- Compensation of external disturbances through dynamic hysteresis
- Linear characteristic line
- Valve blocking protection, short stroke movement if the actuator has not been moved within 24 h (optionally adjustable)
- Automatic stroke adjustment through initialisation

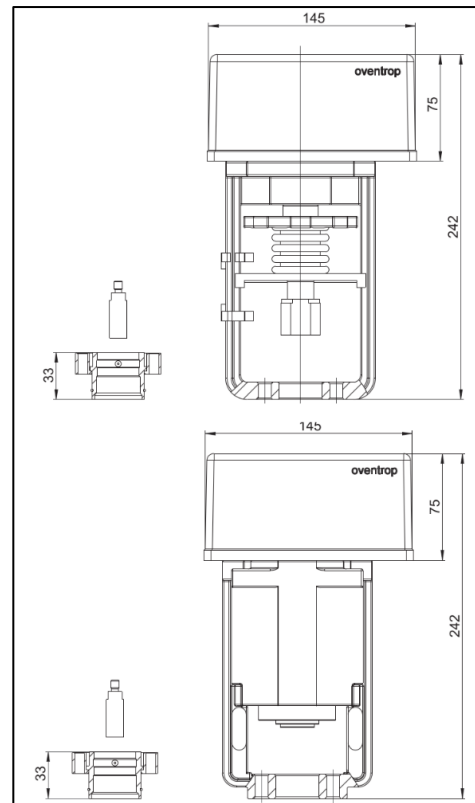
Manual adjustment is possible for actuators with spring return. To do this, the actuator cover must be removed, and the actuator brought into the desired position using a 4 mm Allen key.

Technical Data

Operating voltage	24 V AC
Power consumption	26 W during operation and in stroke end positions
Control	0(2)...10 V or 0(4)...20 mA
Max. stroke	20 mm
Positioning force	1000 N
Positioning time	2 s / mm
Emergency positioning time	1 s / mm
Protection type	IP 54 according to EN 60529
Max. medium temperature	120 °C
Ambient temperature	0...50 °C
Storage temperature	0...50 °C
Actuator	Brushless motor

LED Display

LED display	Meaning
LED lights up permanently	Normal mode
LED flashes briefly	Fault / Voltage polarity reversed
LED flashes long	Initialisation run
Off	Mains supply interrupted or actuator fuse defective



Dimensions

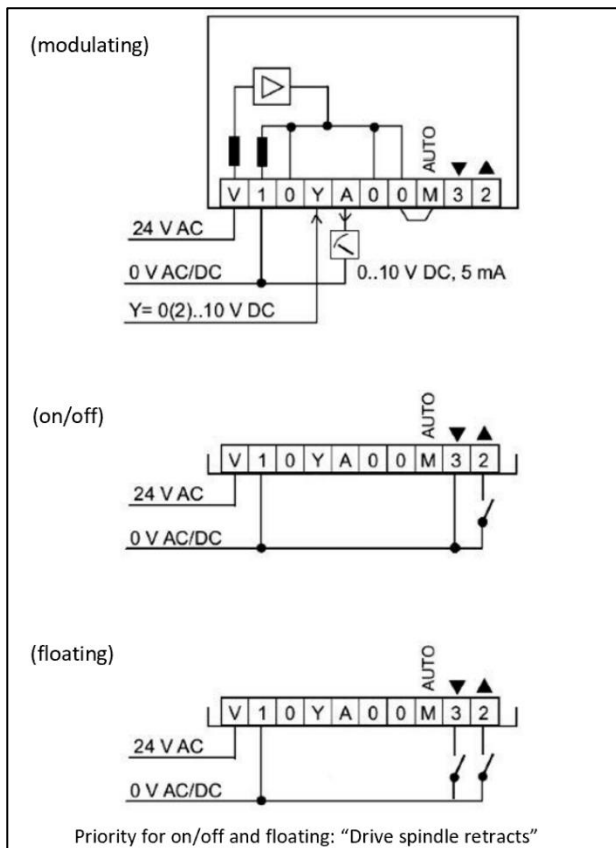
Range of application, installation and mounting

The electrical connection must comply with the regulations of the local Electricity Board.

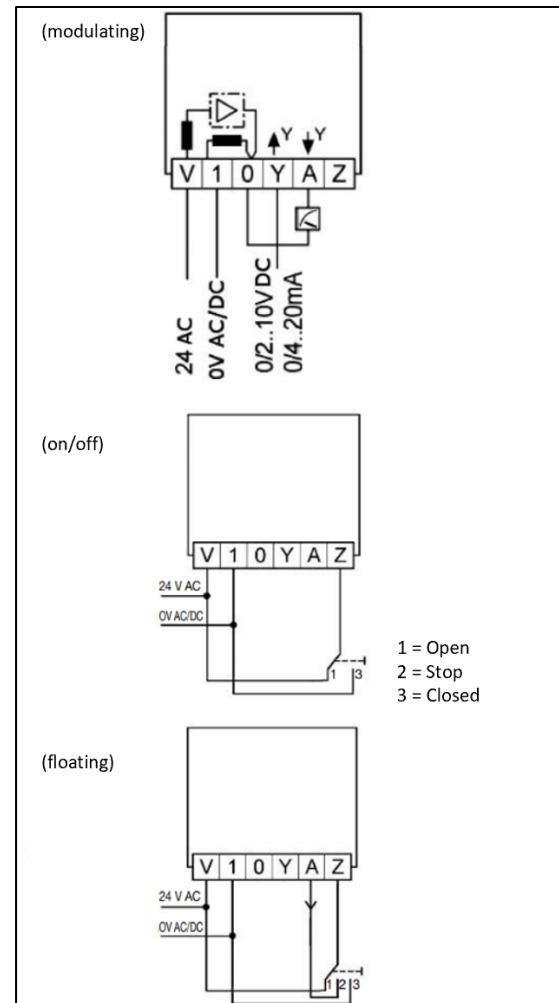
The connecting cable must not be laid on heat-carrying pipes or the like, as this accelerates the ageing of the cable material.

The Oventrop actuators can be operated in all installation positions, except for installation vertically downwards.

Depending on the wiring (see wiring diagrams), the actuators item no. 1158020/21/22 can be used as floating, on/off or 0(2) - 10 V or 0(4) - 20 mA actuator.



Wiring diagrams item no. 1158020



Wiring diagrams item no. 1158021/22