

Features

- 0-90 second field replaceable time delay retard
- Easy to read retard time delay adjustment knob
- Weatherproof and UV resistant
- Easy to read wire terminal designations
- Two SPDT (form C) contacts



WARNING

- Installation must be performed by qualified personnel and in accordance with all national and local codes and ordinances.
- Shock hazard. Disconnect power source before servicing. Serious injury or death could result.
- Risk of explosion. Not for use in hazardous locations. Serious injury or death could result.

CAUTION

Waterflow switches that are monitoring wet pipe sprinkler systems shall not be used as the sole initiating device to discharge AFFF, deluge, or chemical suppression systems. Waterflow switches used for this application may result in unintended discharges caused by surges, trapped air, or short retard times.



Description

The Model VSR is a vane type waterflow switch for use on wet sprinkler systems. It is UL and CUL Listed for use on steel pipe; schedules 10 through 40. See Ordering Information chart.

The VSR may also be used as a sectional waterflow detector on large systems. The VSR contains two single pole, double throw, snap action switches and an adjustable, instantly recycling pneumatic retard. The switches are actuated when a flow of 10 GPM (38 LPM) or more occurs downstream of the device. The flow condition must exist for a period of time necessary to overcome the selected retard period.

Enclosure

The VSR switches and retard device are enclosed in a weather/UV/ flame resistant high impact composite plastic. The cover is held in place with two tamper resistant screws which require a special key for removal. A field installable cover tamper switch is available as an option which may be used to indicate unauthorized removal of the cover. See bulletin number 5401103 for installation instructions of this switch.

NOTICE

This document contains important information on the installation and operation of the VSR. Please read all instructions carefully and notify the building owner or their authorized representative before any work is done on the fire sprinkler or fire alarm system. A copy of this document is required by NFPA 72 to be maintained on site.

Technical Specifications

Conduit Entrances	Two knockouts provided for 1/2" conduit. Individual switch compartments suitable for dissimilar voltages	
Contact Ratings	Two sets of SPDT (Form C) 10.0 Amps at 125/250VAC 2.0 Amps at 30VDC Resistive 10 mAmps min. at 24VDC	
Enclosure	Cover - Weather/UV/Flame Resistant High Impact Composite Base - Die-cast aluminum	
Environmental Specifications	NEMA 4/IP54 Rated Enclosure suitable for indoor or outdoor use with factory installed gasket when used with appropriate conduit fitting. Temperature Range: 40°F - 120°F, (4.5°C - 49°C) - UL Non-corrosive sleeve factory installed in saddle.	
Flow Sensitivity Range for Signal	4-10 GPM (15-38 LPM) - UL	
Maximum Surge	18 FPS (5.5 m/s)	
Service Pressure	300 PSI (20, 7 BAR)	
Service Use	Automatic Sprinkler One or two family dwelling Residential occupancy up to four stories National Fire Alarm Code	NFPA-13 NFPA-13D NFPA-13R NFPA-72

Specifications subject to change without notice.

Installation (see Fig. 1)

These devices may be mounted on horizontal or vertical pipe. On horizontal pipe they shall be installed on the top side of the pipe where they will be accessible. The device should not be installed within 6" (15 mm) of a fitting which changes the direction of the waterflow or within 24" (60 mm) of a valve or drain.

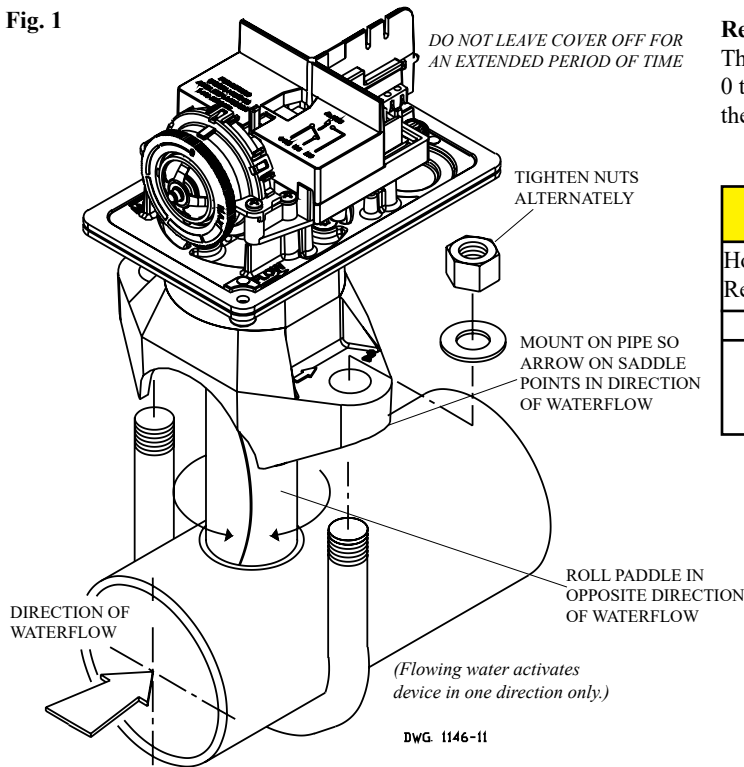
NOTE: Do not leave cover off for an extended period of time.

Drain the system and drill a hole in the pipe using a hole saw in a slow speed drill (see Fig. 1). Clean the inside pipe of all growth or other material for a distance equal to the pipe diameter on either side of the hole. Roll the vane so that it may be inserted into the hole; do not bend or crease it. Insert the vane so that the arrow on the saddle points in the direction of the waterflow. Take care not to damage the non-corrosive bushing in the saddle. The bushing should fit inside the hole in the pipe. Install the saddle strap and tighten nuts alternately to required torque (see the chart in Fig. 1). The vane must not rub the inside of the pipe or bind in any way.

CAUTION

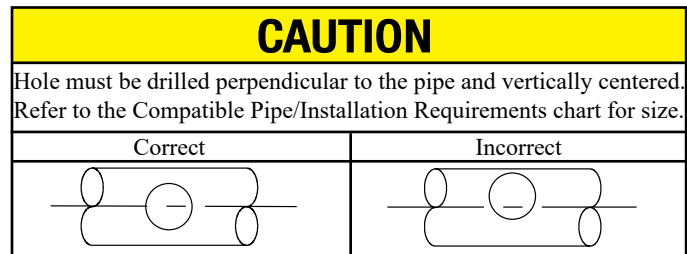
Do not trim the paddle. Failure to follow these instructions may prevent the device from operating and will void the warranty. Do not obstruct or otherwise prevent the trip stem of the flow switch from moving when water flows as this could damage the flow switch and prevent an alarm. If an alarm is not desired, a qualified technician should disable the alarm system.

Fig. 1



Retard Adjustment

The delay can be adjusted by rotating the retard adjustment knob from 0 to the max setting (60-90 seconds). The time delay should be set at the minimum required to prevent false alarms



Compatible Pipe/ Installation Requirements												
Model	Nominal Pipe Size		Nominal Pipe O.D.		Pipe Wall Thickness				Hole Size		U-Bolt Nuts Torque	
	inch	mm	inch	mm	Schedule 10 (UL)		Schedule 40 (UL)		inch	mm	ft-lb	n-m
					inch	mm	inch	mm				
VSR-10	10	DN250	10.750	273.0	0.165	4.19	0.365	9.27	2.00 ± .125	50.8 ± 2.0	20	27

Fig. 2
To remove knockouts: Place screwdriver at inside edge of knockouts, not in the center.

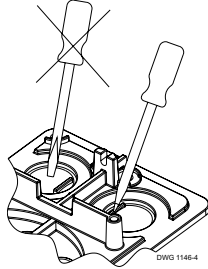
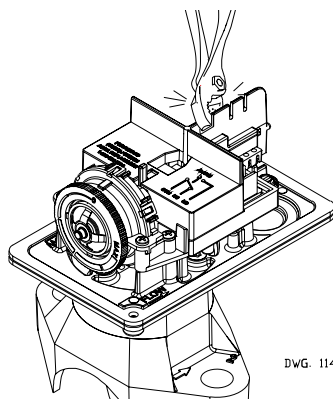
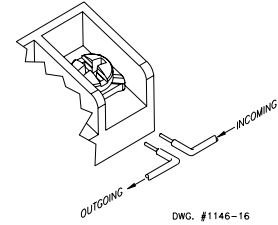


Fig. 3
Break out thin section of cover when wiring both switches from one conduit entrance.



Switch Terminal Connections
Clamping Plate Terminal

Fig. 4



NOTICE

Do not drill into the base as this creates metal shavings which can create electrical hazards and damage the device. Drilling voids the warranty.

WARNING

An uninsulated section of a single conductor should not be looped around the terminal and serve as two separate connections. The wire must be severed, thereby providing supervision of the connection in the event that the wire become dislodged from under the terminal. Failure to sever the wire may render the device inoperable risking severe property damage and loss of life.

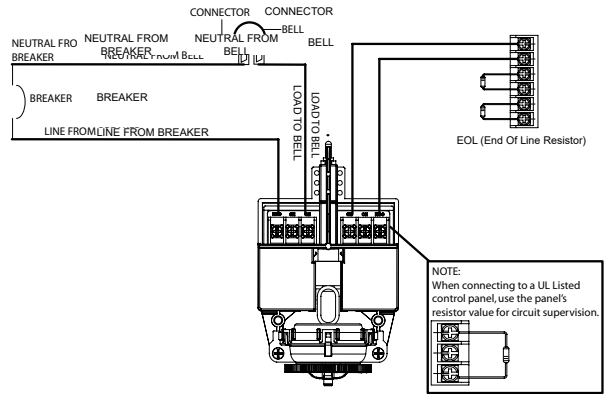
Do not strip wire beyond 3/8" of length or expose an uninsulated conductor beyond the edge of the terminal block. When using stranded wire, capture all strands under the clamping plate.

Typical Electrical Connections

Fig. 5

Notes:

1. The Model VSR has two switches, one can be used to operate a central station, proprietary or remote signaling unit, while the other contact is used to operate a local audible or visual annunciator.
2. For supervised circuits, see "Switch Terminal Connections" drawing and warning note (Fig. 4).



Testing

The frequency of inspection and testing for the Model VSR and its associated protective monitoring system shall be in accordance with applicable NFPA Codes and Standards and/or the authority having jurisdiction (manufacturer recommends quarterly or more frequently).

If provided, the inspector's test valve shall always be used for test purposes. If there are no provisions for testing the operation of the flow detection device on the system, application of the VSR is not recommended or advisable.

A minimum flow of 10 GPM (38 LPM) is required to activate this device.

Fig. 6 Mounting Dimensions

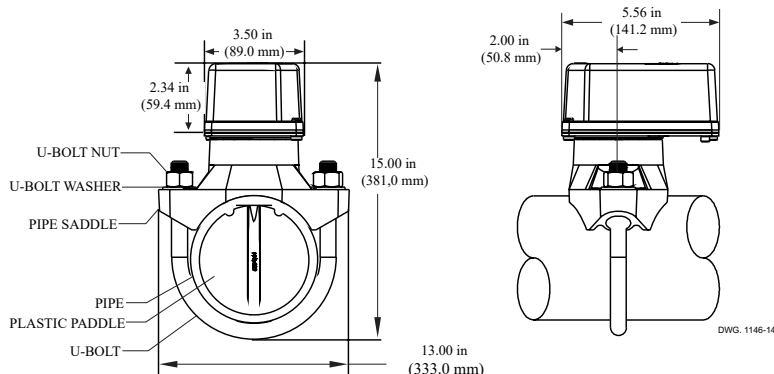
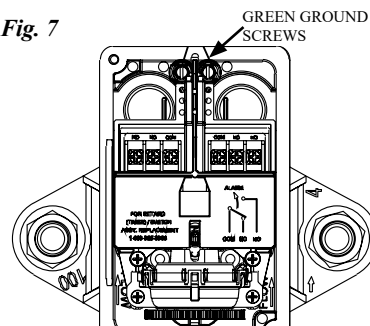


Fig. 7



NOTICE

Advise the person responsible for testing of the fire protection system that this system must be tested in accordance with the testing instructions.

Maintenance

Inspect detectors monthly. If leaks are found, replace the detector. The VSR waterflow switch should provide years of trouble-free service. The retard and switch assembly are easily field replaceable. In the unlikely event that either component does not perform properly, please order replacement retard switch assembly stock #1029030 (see Fig. 8). There is no maintenance required, only periodic testing and inspection.

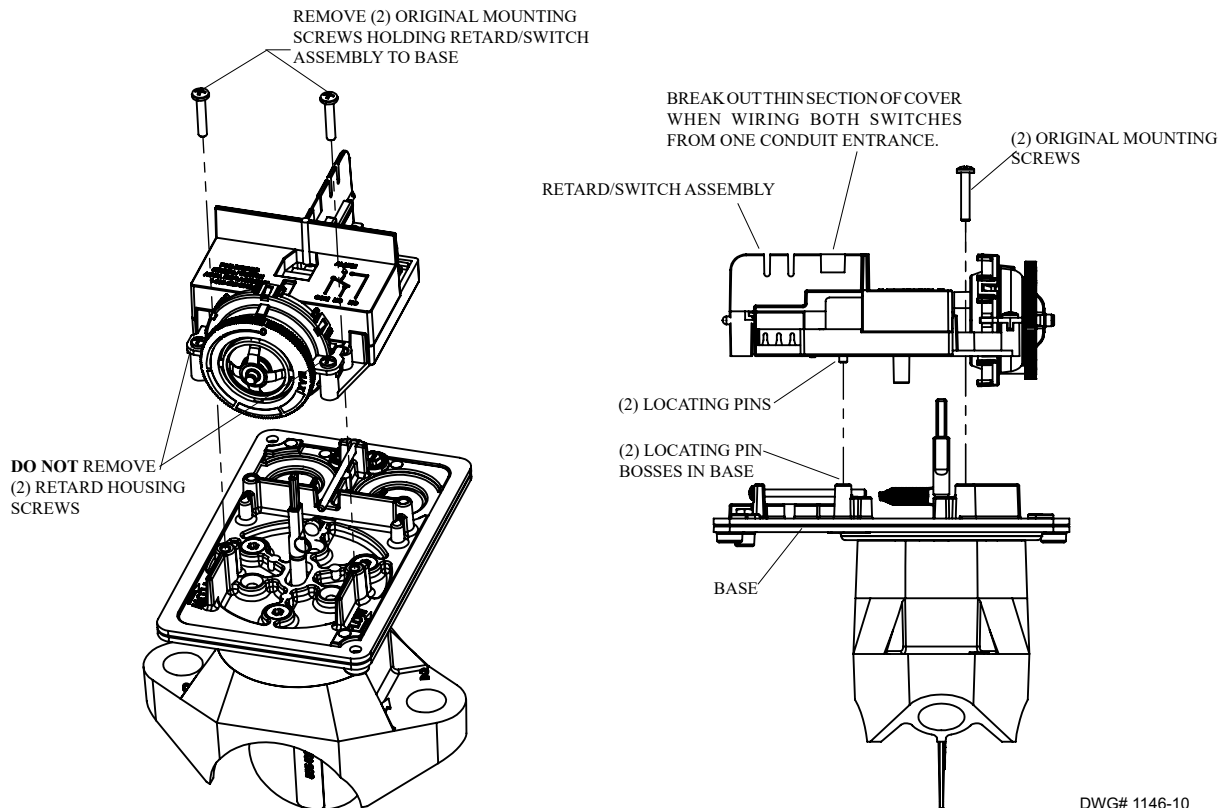
Retard/Switch Assembly Replacement (See Fig. 8)

1. Make sure the fire alarm zone or circuit connected to the waterflow switch is bypassed or otherwise taken out of service.
2. Disconnect the power source for local bell (if applicable).
3. Identify and remove all wires from the waterflow switch.
4. Remove the (2) mounting screws holding retard/switch assembly to the base. **Do not** remove the (2) retard housing screws.
5. Remove the retard assembly by lifting it straight up over the tripstem.
6. Install the new retard assembly. Make sure the locating pins on the retard/switch assembly fit into the locating pin bosses on the base.
7. Re-install the (2) original mounting screws.
8. Reconnect all wires. Perform a flow test and place the system back in service.

NOTICE

The Retard/Switch Assembly is field-replaceable without draining the system or removing the waterflow switch from the pipe

Fig. 8



Removal of Waterflow Switch

- To prevent accidental water damage, all control valves should be shut tight and the system completely drained before waterflow detectors are removed or replaced.
- Turn off electrical power to the detector, then disconnect wiring.
- Loosen nuts and remove U-bolts.
- Gently lift the saddle far enough to get your fingers under it. With your fingers, roll the vane so it will fit through the hole while continuing to lift the waterflow detector saddle.
- Lift detector clear of pipe.

NOTICE

Flow switches have a normal service life of 10-15 years. However, the service life may be significantly reduced by local environmental conditions.

Ordering Information

Model	Nominal Pipe Size		Part Number
VSR-10	10"	DN250	1144410

Optional: Cover Tamper Switch Kit, stock no. 0090148
FSBS-Flowswitch Bypass Switch, stock no. 3001006
Replaceable Components: Retard/Switch Assembly, stock no. 1029030