



## WFDN Series Waterflow Detector

*The System Sensor WFDN series is compatible with schedule 7 through 40 steel pipe, for sizes 2 in. through 4 in. and compatible with schedule 10 through 40 steel pipe, sizes 5 in. through 8 in., and can be mounted in a vertical or horizontal position.*

### Features

---

- New directional cover allows installers and inspectors to easily see the direction of flow
- UL-listed models are NEMA 4 rated
- New cover provides a better seal, is lighter weight, not painted and corrosion resistant
- Sealed retard mechanism immune to dust and other contaminants
- Less exposed metal reduces shock hazard, plastic cover acts as insulator and is resistant to arcing
- Visual switch activation
- Audible switch activation (73 dBA)
- Field-replaceable timer/switch assembly
- Accommodates up to 12 AWG wire
- Switch Synchronization activates both alarm panel and local bell or horn strobe
- Tamper-resistant cover screws
- Improved water sealing
- Reduced product weight
- Wire-ready terminals
- Improved wiring with new terminal block layout
- Snap-in optional cover tamper switch
- Improved timer repeatability and accuracy



The new **WFDN Series** waterflow detectors from **System Sensor** consists of a rugged, NEMA 4-rated enclosure that is more damage resistant than previous metal designs. The waterflow detector is designed for both indoor and outdoor use, with the widest available temperature range, from 32°F to 150°F. They are also approved for installation on the widest range of pipe schedules, sizes 2 in. through 4 in. are approved for installation on pipe schedules 7 through 40.

UL-listed models are equipped with tamper-resistant cover screws to prevent unauthorized entry. Inside, two sets of SPDT (Form C) synchronized switches are enclosed in a durable terminal block with new layout designed to make wiring easy with wire ready terminals, COM terminals are on a different elevation, large barrier between switches and easy to read raised textured lettering all make wiring easy. An optional cover tamper switch is available, securely snaps into place, no tools required.

The WFDN series incorporates a mechanical time delay feature, which minimizes the risk of false alarm due to pressure surges or air trapped in the fire sprinkler system. The larger and easy to turn timer dial makes setting the waterflow detector easy with high contrast pad printed markings. The dial offers three tabs to help with turning, with one larger tab located on the dial position for approximately 60 seconds, a notch is also indicated on the dial to locate approximately 30 seconds making setting the detector in dimly lit locations easy.

The WFDN series is designed for accuracy and repeatability. The detector also offers improved performance during vibration in riser applications where detectors are exposed to a large in rush of water.

### Agency Listings

---



# Waterflow Detector Specifications

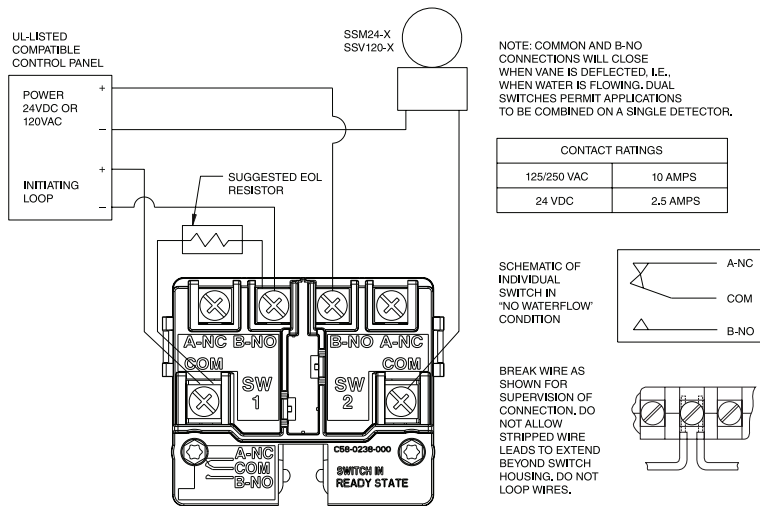
## Engineering Specifications

Vane-type waterflow detectors shall be installed on system piping as designated on the drawing and/or as specified herein. Detectors shall mount on any clear pipe span of the appropriate nominal size, either a vertical upflow or horizontal run, at least 6 in. from any fittings that may change water direction, flow rate, or pipe diameter or no closer than 24 in. from a valve or drain. Detectors shall have a sensitivity in the range of 4 to 10 gallons per minute and a static pressure rating of 450 psi for 2 in. - 8 in. pipes. The detector shall respond to waterflow in the specified direction after a preset time delay that is field adjustable. The delay mechanism shall be a sealed mechanical pneumatic unit with visual and audible indication of actuation. The actuation mechanism shall include a ethylene vinyl acetate vane inserted through a hole in the pipe and connected by a mechanical linkage to the delay mechanism. Outputs shall consist of dual SPDT switches (Form C contacts). Two conduit entrances for standard fittings of commonly used electrical conduit shall be provided on the detectors. A grounding provision is provided. Unless noted, enclosures shall be NEMA 4 listed by Underwriters Laboratories Inc. All detectors shall be listed by Underwriters Laboratories Inc. for indoor or outdoor use.

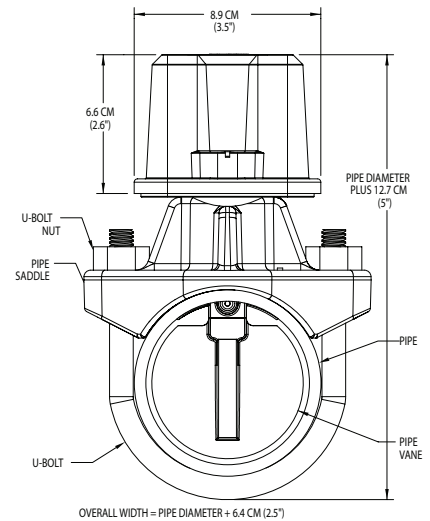
## Standard Specifications

<b>Static Pressure Rating</b>	450 PSI	<b>Operating Temperature Range</b>	32°F to 150°F (0°C to 66°C)
<b>Maximum Surge</b>	18 Feet Per Second (FPS)	<b>Enclosure Rating*</b>	NEMA 4 – suitable for indoor/outdoor use
<b>Triggering Threshold Bandwidth (Flow Rate)</b>	4–10 GPM	<b>Cover Tamper Switch</b>	Standard with ULC models, optional for UL models, part no. CTS
<b>Conduit Entrances</b>	Two openings for ½ in. conduit. NEMA 4 rated plugs	<b>Service Use</b>	Automatic Sprinkler: NFPA-13 One or Two Family Dwelling: NFPA 13D Residential Occupancies up to 4 Stories: NFPA 13R National Fire Alarm Code: NFPA-72
<b>Contact Ratings</b>	Two sets of SPDT (Form C) 10.0 A, ½ HP @ 125/250 VAC 2.5 A @ 6/12/24 VDC	<b>Warranty</b>	3 Years
<b>Compatible Pipe</b>	Steel water pipe, schedule 7 through 40*		

## WFDN Field Wiring Diagram



## Overall Dimensions, Installed



## Ordering Information

UL Model	ULC Model	Pipe Size	Hole Size	Shipping Weights
WFD20N	WFD20NA	2 in.	1¼ in.	2.6 lbs.
WFD25N	WFD25NA	2½ in.	1¼ in.	2.6 lbs.
WFD30N	WFD30NA	3 in.	2 in.	3.1 lbs.
WFD40N	WFD40NA	4 in.	2 in.	4.0 lbs.
WFD50N	WFD50NA	5 in.	2 in.	4.9 lbs.
WFD60N	WFD60NA	6 in.	2 in.	5.6 lbs.
WFD80N	WFD80NA	8 in.	2 in.	7.3 lbs.

## Accessories

FS-RT	Delay mechanism and switch assembly
CTS	Tamper-proof switch kit
WFDW	Tamper-proof wrench for cover

\* 2 in. - 4 in. rated for use with Schedule 7 through 40 pipe, 6 in. - 8 in. rated for use with Schedule 10 through 40 pipe.



3825 Ohio Avenue • St. Charles, IL 60174  
Phone: 800-SENSOR2 • Fax: 630-377-6495  
www.systemsensor.com

©2016 System Sensor.  
Product specifications subject to change without notice. Visit [systemsensor.com](http://systemsensor.com) for current product information, including the latest version of this data sheet.  
WFD87903 • 11/16