

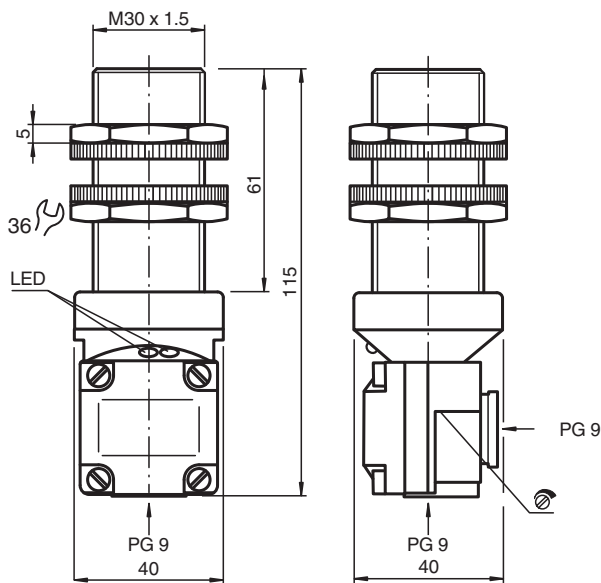


Capacitive sensor CBB10-30GKK-W

- 10 mm flush
- 15 mm non-flush
- The switching distance can be set over a wide range with the potentiometer
- NO/NC programmable



Dimensions



Technical Data

General specifications

Switching function		Normally open/closed (NO/NC)
Output type		Two-wire
Rated operating distance	s_n	10 mm
Installation		flush
Output polarity		AC
Assured operating distance	s_a	0 ... 8.1 mm
Output type		2-wire

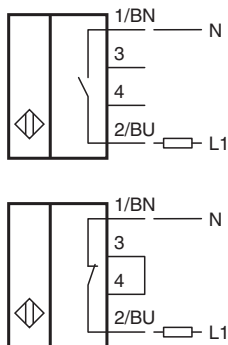
Nominal ratings

Installation conditions

Technical Data

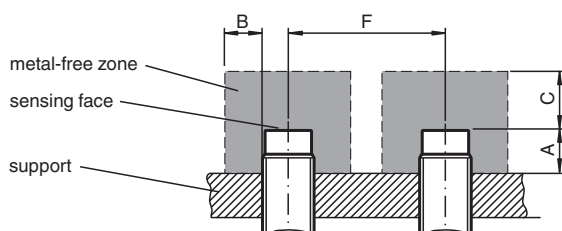
A		0 mm
B		0 mm
C		20 mm
F		40 mm
Operating voltage	U_B	20 ... 250 V AC
Switching frequency	f	0 ... 50 Hz
Hysteresis	H	2 ... 20 %
Voltage drop	U_d	≤ 7 V
Operating current	I_L	0 ... 500 mA
Off-state current	I_r	0 ... 1.7 mA
Operating voltage indicator		LED, green
Switching state indicator		LED, red
Indicators/operating means		
Potentiometer		sensitivity adjustment
Compliance with standards and directives		
Standard conformity		
Standards		EN 60947-5-2
Ambient conditions		
Ambient temperature		-25 ... 70 °C (-13 ... 158 °F)
Mechanical specifications		
Connection type		screw terminals
Core cross section		up to 2.5 mm ²
Housing material		ABS
Sensing face		ABS
Degree of protection		IP67

Connection




Release date: 2022-06-22 Date of issue: 2022-06-22 Filename: 234027_eng.pdf

Installation



Refer to "General Notes Relating to Pepperl+Fuchs Product Information".

Accessories

	<p>BF 30</p>	<p>Mounting flange, 30 mm</p>
---	---------------------	-------------------------------

Release date: 2022-06-22 Date of issue: 2022-06-22 Filename: 234027_eng.pdf

Refer to "General Notes Relating to Pepperl+Fuchs Product Information".

Pepperl+Fuchs Group
www.pepperl-fuchs.com

USA: +1 330 486 0001
fa-info@us.pepperl-fuchs.com

Germany: +49 621 776 1111
fa-info@de.pepperl-fuchs.com

Singapore: +65 6779 9091
fa-info@sg.pepperl-fuchs.com