



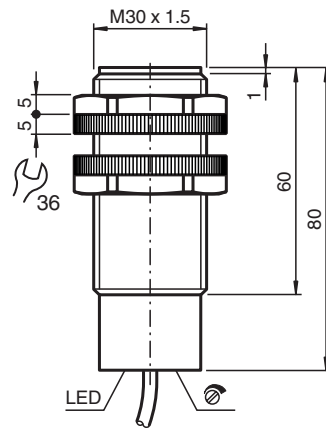
Capacitive sensor

CJ10-30GK-WO

- 10 mm non-flush
- The switching distance can be set over a wide range with the potentiometer



Dimensions



Technical Data

General specifications		
Switching function		Normally closed (NC)
Output type		Two-wire
Rated operating distance	s_n	10 mm
Installation		non-flush
Output polarity		AC
Assured operating distance	s_a	0 ... 7.2 mm
Output type		2-wire
Nominal ratings		
Installation conditions		
A		18 mm
B		10 mm
C		20 mm
F		60 mm
Operating voltage	U_B	20 ... 253 V AC ¹⁾
Switching frequency	f	0 ... 10 Hz
Hysteresis	H	2 ... 10 typ. 5 %

Release date: 2022-06-21 Date of issue: 2022-06-21 Filename: 020052_eng.pdf

Refer to "General Notes Relating to Pepperl+Fuchs Product Information".

Pepperl+Fuchs Group
www.pepperl-fuchs.com

USA: +1 330 486 0001
fa-info@us.pepperl-fuchs.com

Germany: +49 621 776 1111
fa-info@de.pepperl-fuchs.com

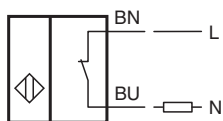
Singapore: +65 6779 9091
fa-info@sg.pepperl-fuchs.com

 PEPPERL+FUCHS

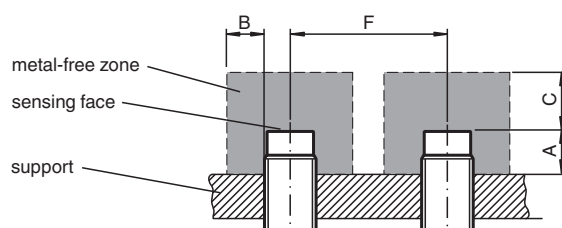
Technical Data

Reverse polarity protection	reverse polarity tolerant	
Voltage drop at I_L		
Voltage drop $I_L = 100$ mA, switching element on	U_d	typ. 7 V
Momentary current (20 ms, 0.1 Hz)		0 ... 1200 mA
Rated insulation voltage	U_{BIS}	1500 V
Operating current	I_L	5 ... 200 mA
Lowest operating current	I_m	5 mA
Off-state current	I_r	0.7 ... 1.5 mA typ.
Time delay before availability	t_v	≤ 300 ms
Switching state indicator		LED, yellow
Indicators/operating means		
Potentiometer		sensitivity adjustment
Compliance with standards and directives		
Standard conformity		
Standards		EN 60947-5-2:2007 EN 60947-5-2/A1:2012 IEC 60947-5-2:2007 IEC 60947-5-2 AMD 1:2012
Approvals and certificates		
UL approval		cULus Listed, General Purpose
CCC approval		Certified by China Compulsory Certification (CCC)
Ambient conditions		
Ambient temperature		-25 ... 70 °C (-13 ... 158 °F)
Storage temperature		-25 ... 85 °C (-13 ... 185 °F)
Mechanical specifications		
Connection type		cablc PVC , 2 m
Core cross section		0.75 mm ²
Housing material		PBT
Sensing face		PBT
Degree of protection		IP67
Note		1) In the temperature range below 0 °C, permissible operating voltage U_b 80...253 V Safety fuse ≤ 0.8 A (quick-blow) according to IEC 60127-2 Sheet 1 Recommendation: after a short circuit, check that the device is functioning correctly.

Connection




Installation



Release date: 2022-06-21 Date of issue: 2022-06-21 Filename: 020052_eng.pdf

Refer to "General Notes Relating to Pepperl+Fuchs Product Information".

Accessories

	<p>BF 30</p>	<p>Mounting flange, 30 mm</p>
---	---------------------	-------------------------------

Release date: 2022-06-21 Date of issue: 2022-06-21 Filename: 020052_eng.pdf

Refer to "General Notes Relating to Pepperl+Fuchs Product Information".

Pepperl+Fuchs Group
www.pepperl-fuchs.com

USA: +1 330 486 0001
fa-info@us.pepperl-fuchs.com

Germany: +49 621 776 1111
fa-info@de.pepperl-fuchs.com

Singapore: +65 6779 9091
fa-info@sg.pepperl-fuchs.com