

Capacitive sensor

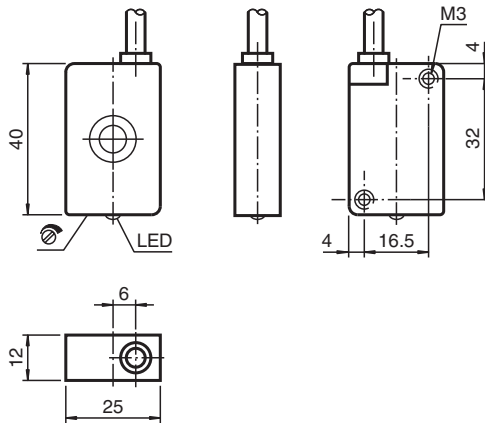
CBN15-F64-E2



- 15 mm non-flush
- Flat housing
- Switching distance adjustable between 2 mm ... 15 mm



Dimensions



Technical Data

| General specifications | | |
|-----------------------------|-------|----------------------------|
| Switching function | | Normally open (NO) |
| Output type | | PNP |
| Rated operating distance | s_n | 15 mm |
| Installation | | non-flush |
| Output polarity | | DC |
| Assured operating distance | s_a | 0 ... 12.1 mm |
| Output type | | 3-wire |
| Nominal ratings | | |
| Installation conditions | | |
| B | | 15 mm |
| C | | 30 mm |
| F | | 45 mm / 60 mm |
| Operating voltage | U_B | 10 ... 30 V DC |
| Switching frequency | f | 0 ... 100 Hz |
| Hysteresis | H | 1 ... 10 typ. 5 % |
| Reverse polarity protection | | reverse polarity protected |

Release date: 2022-06-30 Date of issue: 2022-06-30 Filename: 310470_eng.pdf

Refer to "General Notes Relating to Pepperl+Fuchs Product Information".

Pepperl+Fuchs Group
www.pepperl-fuchs.com

USA: +1 330 486 0001
fa-info@us.pepperl-fuchs.com

Germany: +49 621 776 1111
fa-info@de.pepperl-fuchs.com

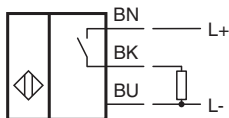
Singapore: +65 6779 9091
fa-info@sg.pepperl-fuchs.com

PEPPERL+FUCHS

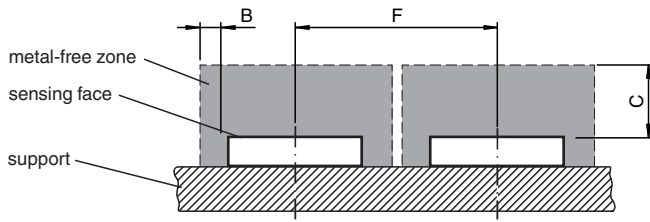
Technical Data

| | | |
|---|-------|---|
| Short-circuit protection | | pulsing $I_{\max} \leq 500 \text{ mA}$ |
| Voltage drop | U_d | $\leq 2 \text{ V}$ |
| Repeat accuracy | R | $\leq 1.5 \text{ mm}$ |
| Operating current | I_L | 0 ... 100 mA |
| Off-state current | I_r | 0 ... 50 μA typ. 5 μA |
| No-load supply current | I_o | $\leq 15 \text{ mA}$ |
| Switching state indicator | | LED, yellow |
| Functional safety related parameters | | |
| MTTF _d | | 941 a |
| Mission Time (T _M) | | 20 a |
| Diagnostic Coverage (DC) | | 0 % |
| Indicators/operating means | | |
| Potentiometer | | sensitivity adjustment |
| Compliance with standards and directives | | |
| Standard conformity | | |
| Standards | | EN 60947-5-2:2007 EN 60947-5-2/A1:2012 IEC 60947-5-2:2007 IEC 60947-5-2 AMD 1:2012 |
| Approvals and certificates | | |
| UL approval | | cULus Listed, General Purpose |
| CCC approval | | CCC approval / marking not required for products rated $\leq 36 \text{ V}$ |
| Ambient conditions | | |
| Ambient temperature | | -25 ... 70 °C (-13 ... 158 °F) |
| Storage temperature | | -40 ... 85 °C (-40 ... 185 °F) |
| Pollution degree | | 3 |
| Mechanical specifications | | |
| Connection type | | cable PUR , 2 m |
| Core cross section | | 0.34 mm ² |
| Housing material | | PBT |
| Sensing face | | PBT |
| Degree of protection | | IP67 |
| Cable | | |
| Cable diameter | | 4.8 mm \pm 0.2 mm |
| Bending radius | | > 10 x cable diameter |
| Tightening torque, housing screws | | $\leq 2 \text{ Nm}$ |
| Note | | Screw-in depth of housing screws, max. 8 mm |

Connection



Installation Conditions



Accessories

| | | |
|---|----------------------|-----------------------|
|  | <p>MH-F64</p> | <p>Mounting plate</p> |
|---|----------------------|-----------------------|

Release date: 2022-06-30 Date of issue: 2022-06-30 Filename: 310470_eng.pdf