



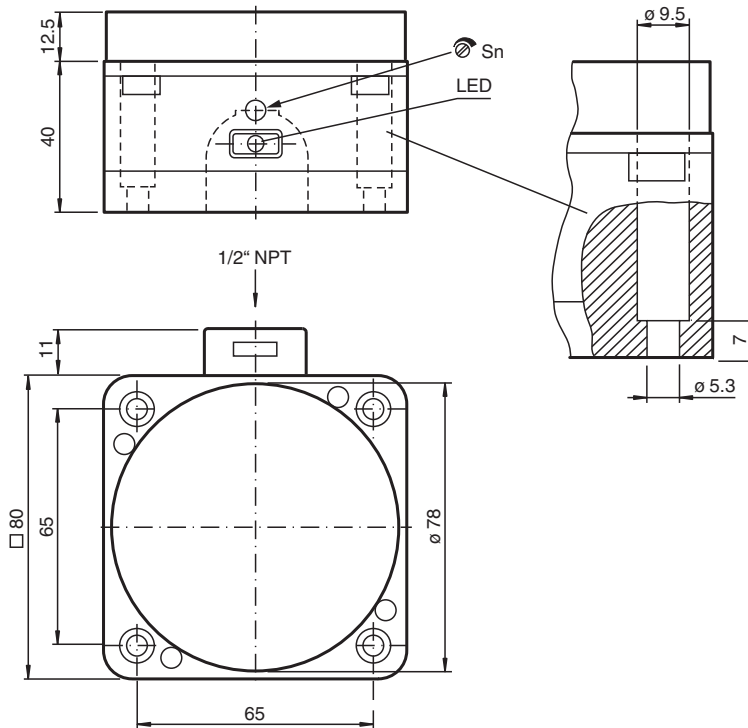
## Capacitive sensor

### CJ40-FP-A2-P4

- 40 mm non-flush
- 4-wire DC
- The switching distance can be set over a wide range with the potentiometer



## Dimensions



## Technical Data

### General specifications

Switching function		complementary
Output type		PNP
Rated operating distance	$s_n$	40 mm
Installation		non-flush
Output polarity		DC
Assured operating distance	$s_a$	0 ... 32.4 mm
Output type		4-wire

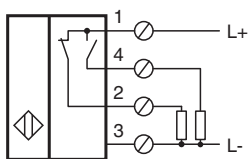
### Nominal ratings

Installation conditions

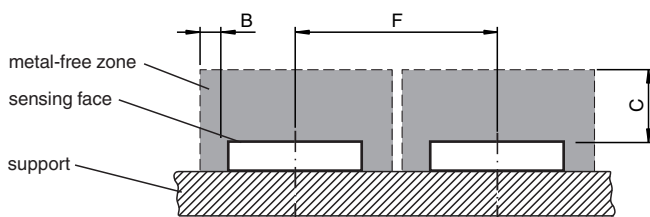
**Technical Data**

B		40 mm
C		80 mm
F		120 mm
Operating voltage	$U_B$	10 ... 60 V DC
Switching frequency	$f$	0 ... 10 Hz
Hysteresis	H	3 ... 20 % 10 % typical
Reverse polarity protection		reverse polarity protected
Short-circuit protection		pulsing
Voltage drop	$U_d$	$\leq 3$ V
Operating current	$I_L$	0 ... 200 mA
No-load supply current	$I_0$	$\leq 20$ mA
Switching state indicator		LED, yellow
<b>Indicators/operating means</b>		
Potentiometer		sensitivity adjustment
<b>Compliance with standards and directives</b>		
Standard conformity		
Standards		EN 60947-5-2:2007 IEC 60947-5-2:2007
<b>Approvals and certificates</b>		
UL approval		cULus Listed, General Purpose
CSA approval		cCSAus Listed, General Purpose
<b>Ambient conditions</b>		
Ambient temperature		-25 ... 70 °C (-13 ... 158 °F)
<b>Mechanical specifications</b>		
Connection type		screw terminals
Core cross section		up to 2.5 mm <sup>2</sup>
Housing material		POM / metal
Sensing face		POM
Housing base		metal
Degree of protection		IP65

**Connection**



**Installation Conditions**



Release date: 2022-05-23 Date of issue: 2022-05-23 Filename: 904116\_eng.pdf

Refer to "General Notes Relating to Pepperl+Fuchs Product Information".