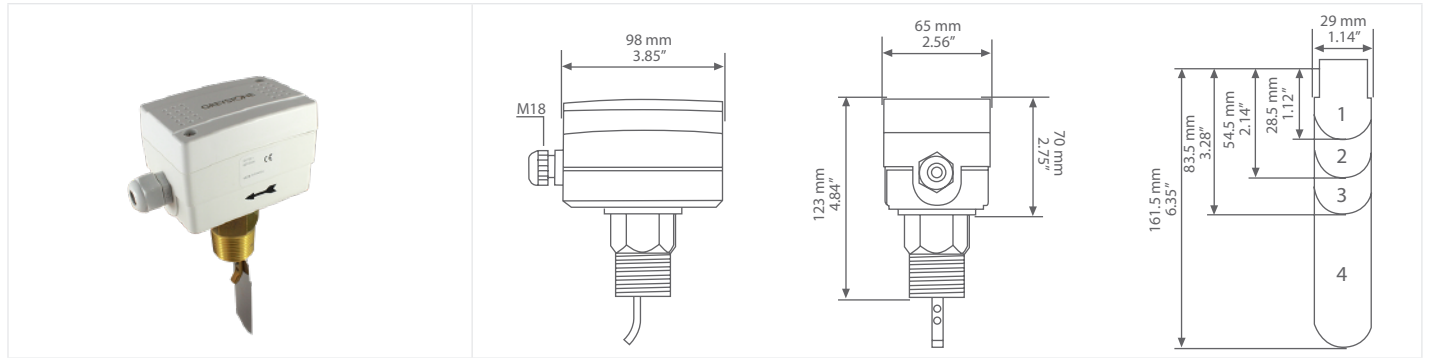




LIQUID FLOW SWITCH



GLFS-1 SERIES

PRODUCT DESCRIPTION

The Liquid Flow Switch is suitable for flow monitoring and control of water and normal media in industrial plants, heating, air conditioning, and refrigeration systems. Enclosed in a water-proof IP65 enclosure, it includes multiple stainless steel paddle sizes for pipes up to 203.2mm (8") in diameter. The switch is suitable for liquid temperatures up to 120°C (248°F) and a maximum working pressure of up to 13.5 Bar (195.8 PSI).

TYPICAL INSTALLATION

For complete installation and wiring details, please refer to the product installation instructions.

The flow switch can be installed in any position, as far from elbows or obstructions as possible with the arrow pointing in the direction of the flow. If the pipe is vertical, recalibrate the range to balance the paddle weight.

SPECIFICATIONS

TYPE OF OPERATION	On/Off, single-stage, micro switch
OUTPUT	SPDT 15(8A) 24/250 Vac
FLOW RATES	See flow rate table
FLOW RATE SETTING ADJUSTMENT	Internal screw
SENSING ELEMENT	Paddle
TYPICAL LIQUID APPLICATIONS	Hot, chilled, well, pool, and sea water, brine or ethylene glycol
PROCESS CONNECTION	1" NPT
PARTS MATERIAL IN CONTACT WITH FLUID	Brass
PADDLE MATERIAL	Stainless steel
LIQUID TEMPERATURE	-20 to 120°C (-4 to 248°F)
AMBIENT OPERATING RANGE	-40 to 85°C (-40 to 185°F), 10 to 90 %RH non-condensing
CABLE ENTRY	M18 fitting
ENCLOSURE	White ABS or PC, IP65 (NEMA 4X)
WEIGHT	1.0kg (2.2lbs)

ORDERING INFORMATION

GLFS-1

PADDLE SIZES

PIPE	1"	1 1/4"	1 1/2"	2"	2 1/2"	3"	4"	4"Z	5"	5"Z	6"	6"Z	8"	8"Z
NUMBER	1	1	1	1, 2	1, 2	1, 2, 3	1, 2, 3	1, 2, 3, 4	1, 2, 3	1, 2, 3, 4	1, 2, 3	1, 2, 3, 4	1, 2, 3	1, 2, 3, 4

NOTE: Refer to dimensional drawings above for corresponding paddle numbers.

LIQUID FLOW RATE

LINE PIPE SIZE (IN)		1	1 1/4"	1 1/2"	2	2 1/2"	3	4	4Z	5	5Z	6	6Z	8	8Z
MINIMUM FLOW GPM (M ³ /H)	Flow Increase 1 & 2 Connected	4.2 (1.0)	5.8 (1.3)	7.5 (1.7)	13.7 (3.1)	17.6 (4.0)	27.5 (6.2)	64.7 (14.7)	35.2 (8.0)	12.5 (28.4)	57.01 (12.9)	90.0 (43.1)	74.0 (16.8)	374.7 (85.1)	204.7 (46.5)
	Flow Decrease 1 & 3 Connected	2.5 (0.6)	3.7 (0.8)	5.0 (1.1)	13.7 (2.2)	11.9 (2.7)	19 (4.3)	50.1 (11.4)	26.9 (6.1)	101.1 (22.9)	41.0 (9.3)	158.0 (35.9)	54.0 (12.3)	319.7 (72.6)	170.0 (38.6)
MAXIMUM FLOW GPM (M ³ /H)	Flow Increase 1 & 2 Connected	9.2 (2.1)	13.3 (3.0)	17.6 (4.0)	26.9 (6.1)	30.8 (7.0)	50.2 (11.4)	127.6 (29.0)	81.0 (18.4)	245.0 (55.6)	18.0 (18.4)	374.7 (85.1)	144.0 (32.7)	759.5 (172.5)	415.0 (94.2)
	Flow Decrease 1 & 3 Connected	8.1 (1.9)	12.5 (2.8)	16.3 (3.7)	25.1 (5.7)	28.6 (6.5)	47.1 (10.7)	122.0 (27.7)	76.2 (17.3)	234.7 (53.3)	111.0 (25.2)	359.7 (81.7)	134.7 (30.6)	729.6 (165.7)	400.6 (90.8)

NOTE: For flow rates with suffix "Z", the 6 inch paddle must be installed.

