

DPSN Series Air Differential Pressure Switch

The Honeywell DPSN Series Air Differential Pressure Switch can be used to monitor the status of filters, fans, and air flow in air ducts. A knob is included on the top of the pressure switch so the pressure value of the application under monitoring can be set within the range as such accuracy will be enhanced.



Special Features

- Various ranges available
- Long life cycle
- Easy to install

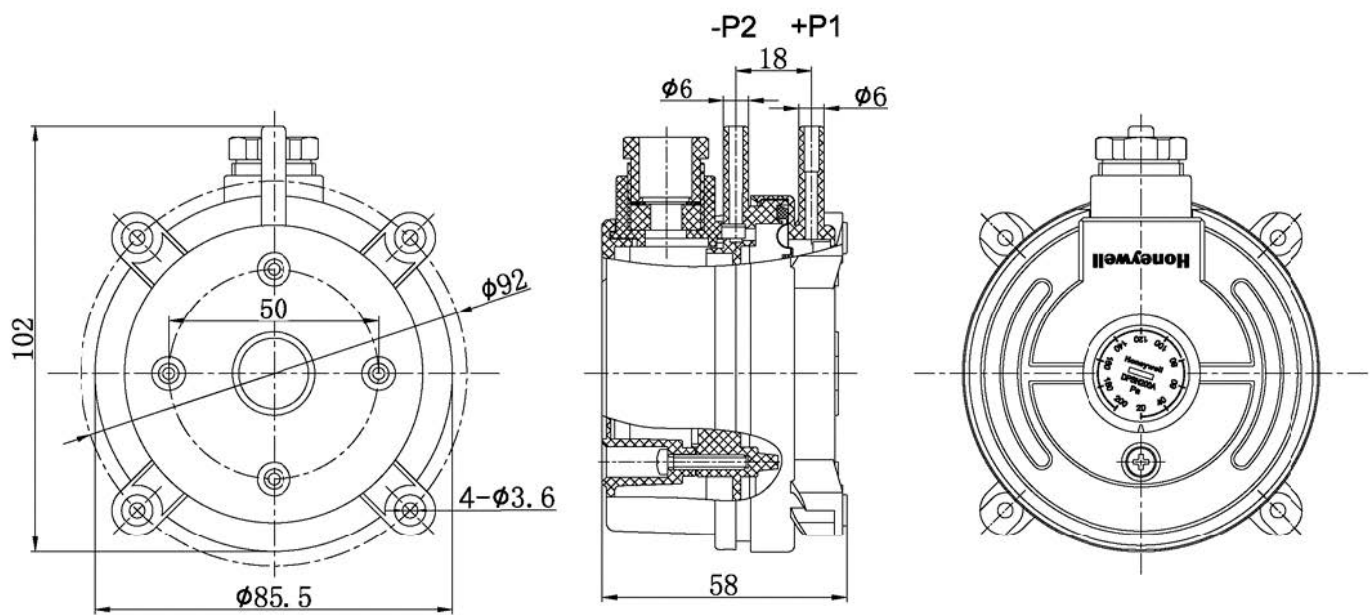
Specifications

Max. allowable working pressure (MAWP)	10000Pa
Accuracy	±15%
Pressure medium	Air, non-flammable gases, non-corrosive gases
Pressure connections	2× plastic tubes, outside diameter: 6.0 mm
Switching capacity	1.5A, (0.4A)/250VAC
Mechanical lifecycle	>1 million cycles
Allowable working temp.	-20°C to +85°C
Storage temp.	-40°C to +85°C
Electrical connections	AMP connectors or screw terminals
Membrane material	Silicone
Conduit entry	CM-M20 x 1.5
Protection class	IP54
Certificates	CE
Included accessories	2× Plastic tube 5× Screw 2m PVC pressure hose L-shaped mounting bracket

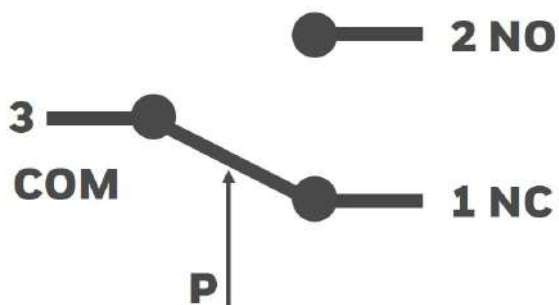
Order Information

SKU	Differential Pressure Range	Switching Pressure Difference (Hysteresis)
DPSN200A	20-200Pa	10Pa
DPSN400A	40-400Pa	20Pa
DPSN1000A	200-1000Pa	100Pa
DPSN2500A	500-2500Pa	150Pa

Dimensions (mm)



Wiring Diagram



Honeywell Environmental and
Combustion Controls (Tianjin) Co., Ltd.
No. 158, Nanhai Road, Tianjin Economic-
Technological Development Area
Postal Code: 300457
Tel: +86-22-66287000
Fax: +86-22-25325214

© 2020 Honeywell, all rights reserved.
The information in these documents is
subject to change without notice.

THE
FUTURE
IS
WHAT
WE
MAKE IT

Honeywell