

PRELIMINARY DATASHEET



**Features:**

- Dual Display, 4 digit, 7 segment LED
- TC / RTD Input
- ON-OFF, PID
- °C / °F Selectable
- Heat Cool PID
- Ramp Soak
- Soft Start
- Optional Features
  - Retransmission output
  - RS485 Communication

Size: 1 / 16DIN, 48mm x 48mm

**Technical Specifications**

**Display**

Digits	4 digit 7 Segment LED, Dual display Height of Upper Display : 0.3785" Height of Lower Display : 0.2720"
LED Indications	Relay ON, Alarm, Manual mode, Tune

**Input Specifications**

Inputs	Thermocouple (J,K,T,R,S,C,E,B,N,L,U,W, Platine II), RTD (Pt100)
Sampling time	200 ms
Input Filter (FTC)	0.2 to 10.0 sec
Resolution	1 / 0.1° for TC/RTD only ( Fixed 1° resolution for R & S type TC)
Temperature Unit	°C/ °F Selectable
Indication Accuracy	For TC inputs: 0.25% of F.S. ±1° For R & S type TC inputs: 0.5% of F.S. ±2° (20 min of warm up time for TC inputs) For RTD inputs: 0.1% of F.S. ±1° (F.S. = Full Scale)

**Output Specifications**

<b>Control</b>	1
Contact Rating (SPST)	5A @ 230V AC / 30V DC, resistive
SSR Drive (Voltage Pulse)	12V DC, 20mA
Current	4 to 20mA DC (loop impedance: 500Ω max.)
Voltage	0 to 5/10V DC (load resistance : 10KΩ min.)
<b>Alarm</b>	2
Contact Rating (SPST)	5A @ 230V AC / 30V DC, resistive
<b>Retransmission</b>	
Current	0/4 to 20mA DC (loop impedance : 500Ω max)
Voltage	0 to 10V DC (load resistance :10KΩ min.)
Update Rate	100 msec

**Functional Specifications:**

Control Action	1) PID 2) ON-OFF
Proportional Band (P)	0.0 to 400.0°
Integral Time (I)	0 to 3600 sec
Derivative Time (D)	0 to 200 sec
Cycle Time	0.1 to 100.0 sec
Hysteresis Width	0.1 to 99.9°
Manual Reset Value	-99.9 to 99.9°
<b>Heat Cool PID</b>	
Control Action	PID
Cycle Time	0.1 to 100 sec
Proportional Gain	0.0 to 400.0°
Deadband	Programmable from setpoint low limit to setpoint high limit
<b>Alarms</b>	
Modes	Deviation high/low, Absolute high/low, Band, sensor Break
Hysteresis	0.1 to 99.9°
<b>Ramp Soak</b>	
Ramp Rate	1 to 9999°/hr
Soak Time	0 to 1440 min
Soft Start Time	0 to 999 min

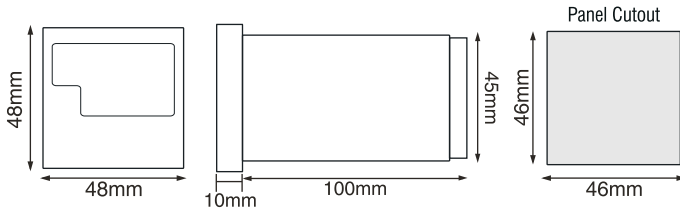
**Supply Voltage**

Supply Voltage	85 to 270V AC/DC (50 / 60Hz)
Power Consumption	6VA max @230V AC

**Environmental Specifications**

Temperature	Operating: 0 to 50°C (32 to 122°F) Storage: -20 to 75°C (-4 to 167°F)
Humidity (non-condensing)	95% RH
Weight	180 gms

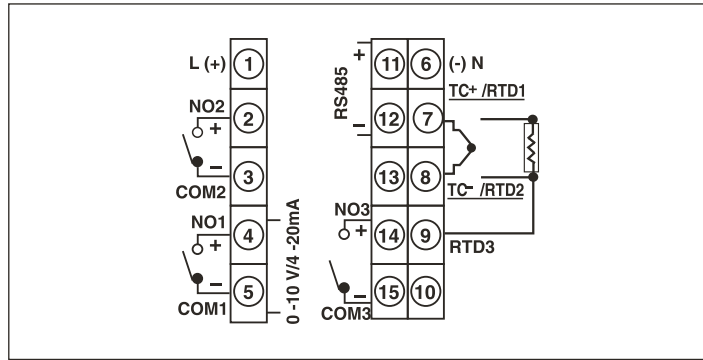
**Dimensions**



**Mounting Accessories**(Supplied with units)

48 x 48 Collar clamp	ACL4802
----------------------	---------

**Terminal Connections**



**Optional Specification #2 :**

<b>SERIAL COMMUNICATION</b>	
Interface standard	RS485
Communication address	1 to 99, maximum of 32 units per line
Transmission mode	Half duplex
Transmission protocol	MODBUS RTU
Transmission distance	500m maximum
Transmission speed	9600, 4800, 2400, 1200, 600, 300 bits/sec

#2 Optional Specification depend on the type of unit ordered.

**Ordering Information**

Part No.	OUTPUT 1	OUTPUT 2	OUTPUT 3		SUPPLY VOLTAGE
			RELAY / SSR	COMMUNICATION (RS485)	
PID500-T-0-0-00	RELAY	RELAY	NA		85-270V AC/DC
PID500-T-1-0-00	18VDC SSR	RELAY	NA		85-270V AC/DC
PID500-T-2-0-00	4-20mA (Current)	RELAY	NA		85-270V AC/DC
PID500-T-3-0-00	0 - 10V(Voltage)	RELAY	NA		85-270V AC/DC
PID500-T-0-0-01	RELAY	RELAY	RELAY		85-270V AC/DC
PID500-T-0-0-04	RELAY	RELAY	RELAY	YES	85-270V AC/DC

**Accessories ( Optional )**

Standard SELEC accessories that can be used with this product.

<p>Adapter plate</p> <p>1) AP7248 : Plastic adapter plate, used to mount 1/16 DIN (cutout size 48 x 48) Instrument into existing (72 x 72) cutout size.</p> <p>2) AP9648 : Plastic adapter plate, used to mount 1/16 DIN (cutout size 48 x 48) Instrument into existing (96 x 96) cutout size.</p> <p>3) AP4896-4848-G-C : Plastic adapter plate, used to mount 1/16 DIN (cutout size 48 x 48) Instrument into existing (48 x 96) cutout size.</p>
--