

MS-1208-M1

8 Channel
Temperature Scanner
With Modbus



TECH SPECS

Dimension (H x W x D)mm	96 x 96 x 52	
Panel Cutout (H x W)mm	92 x 92	
Input	Thermocouple	J / K
	RTD	PT-100 3 Wire / 2 Wire
Range	Thermocouple	J: (0 to 400° C), K: (0 to 1200° C)
	RTD	PT-100 : (-99° C to 400° C)
		PT.1 : (-99.0° C TO 400° C)
Output	RS-485 Modbus Communication protocol	
Power Supply	100 to 270V AC,50/60Hz,Approx 3VA	
Accuracy	± 1 % FSD	
Certification		

APPLICATIONS

Pharma & Chemical Industry application

Generator
Monitoring & Protection

Remote terminal unit (RTU) For SCADA

Compressor/Pump/DG set monitoring

Machine Condition Monitoring

As a distributed I/O module
for interface with PLC/DCS/SCADA

Laboratory Equipment Monitoring

Technical Specifications

Input	
ADC Resolution	10 bit
Display Resolution	Thermocouple : 1 °C RTD : 1 °C / 0.1 °C
Sampling Rate	250 mS/Channel
J , K , PT-100	± 1 % FSD
CJC error	±3 °C
T/C Burnout current	1.10uA
RTD excitation current	0.2mA
CMRR	> 120 db (Typical)
Input Impedance	> 1 M
Max Voltage	20V DC

Display & Keys	
Process Value	Upper : 0.56" 4 Digit Red LED 7 Segment Display
Channel No.	Lower : 0.4" 3 Digit Red LED 7 Segment Display
4 controlling keys for configuration and operation SET, INC, DEC, ENT	

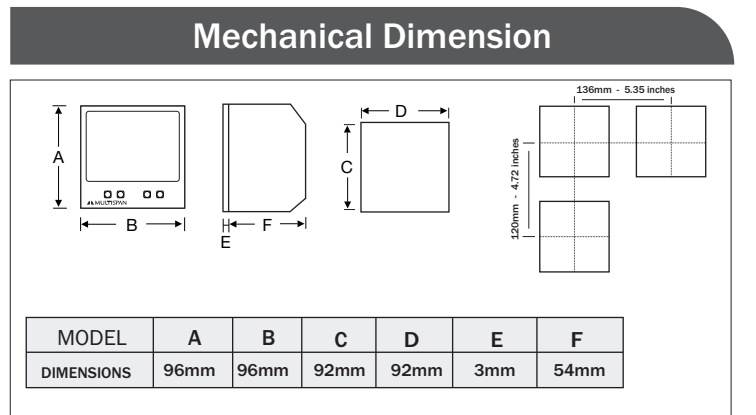
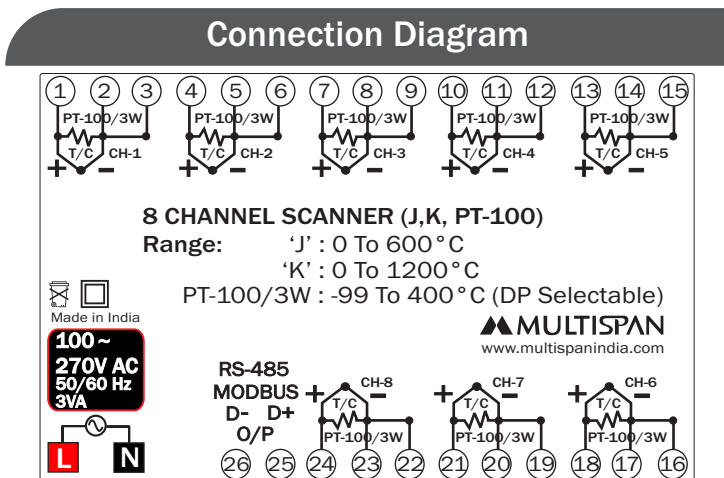
Input Table 1	
Input Type	Range
J	0 to 600 °C
K	0 to 1200 °C
PT-100 (DP Selection NO)	-99 to 400 °C
PT-100 (DP Selection YES)	-99.0 to 400.0 °C

Environmental	
Operating Temperature	0 to 55 °C
Storage Temperature	0 to 70 °C
Humidity	95% RH Non-condensing

Communication(Optional)	
Type	RS 485
Protocol	MODBUS RTU
Baud Rate	4800, 9600, 19200 (Configurable)
Isolation	2500 V _{RMS} Isolation as per UL 1577

Power Supply	
Standard	100 - 250V AC @ 50/60 Hz
Optional	24V DC
Consumption	4VA

Physical	
Enclosure	Molded ABS
Weight (gm)	
Color	Black
Front Bezel (mm)	96 x 96
Panel cutout (mm)	92 x 92
Depth behind panel (mm)	52
Accessories	1 pair of Mounting clamp



Multispan reserves the right to change specifications without prior notice. Printing and typographical errors reserved.

Product improvement and upgrade is a constant procedure. So for more updated operating information & support contact us.

Multispan Control Instruments Pvt. Ltd.

72/B,Phase 1, GIDC Estate,Vatva,Ahmedabad-382445,Gujarat,India.

+91-7575805463/7623001206

support@multispanindia.com

Follow us



www.multispanindia.com