

Technical Information

Compact thermometer

Easytemp TMR31, TMR35

For general (TMR31) or hygienic applications (TMR35), with Pt100, class A sensor and 4-wire connection

Optionally with integrated 4 to 20 mA transmitter, PC programmable



Applications

- Designed for universal use in general or hygienic applications in the Food & Beverages and Life Sciences industries. Preferred installation locations include compact vessels and pipes - anywhere a compact thermometer design with short immersion lengths and reliable measurement offers additional advantages.
- Measuring range: -50 to +150 °C (-58 to +302 °F), with extension neck up to 200 °C (392 °F)
- Pressure range: up to 100 bar (1 450 psi)
- Protection class: IP69K
- Output
 - Without electronics: Pt100 (4-wire connection)
 - With electronics: 4 to 20 mA

Your benefits

Quick installation and easy commissioning:

- Small, compact design, made entirely of stainless steel
- M12 connection with IP69K protection for easy electrical connection
- Pt100, 4-wire connection or PC-programmable transmitter with 4 to 20 mA output
- Can also be ordered with preconfigured measuring range
- Variable installed lengths from 40 to 600 mm (1.57 to 23.6 in)

Outstanding measurement properties thanks to innovative sensor technology:

- Extremely short response times
- Very accurate even with short immersion lengths
- Thinfilm sensor element Pt100, accuracy class A (IEC 60751)

Safe operation with certificates and approvals:

- Device safety according to EN 61010-1
- Electromagnetic compatibility as per NAMUR NE21
- Failure information in the event of sensor break or sensor short circuit, configurable according to NAMUR NE43
- TMR35: hygiene-compliant design with 3-A mark, EHEDG certification, ASME BPE conformity, FDA, EC 1935/2004, EN 2023/2006, TSE/ADI
- Marine approval according to DNV GL









Table of contents

About this document	3	Mechanical construction	13
Symbols	3	Design, dimensions	13
Function and system design	3	esign, dimensions	15
Measuring principle	3	Weight	16
Measuring system	3	Material	16
Equipment architecture	4	Surface roughness	16
Input	4	Process connections for hygienic applications	16
Measuring range	4	Thermowell design, dimensions	20
Output	5	Human interface	20
Output signal	5	Local operation	20
Signal on alarm	5	Local display	21
Load	5	Remote operation	21
Linearization/transmission behavior	5	Certificates and approvals	21
Power supply	5	CE mark	21
Supply voltage	5	EAC mark	21
Power supply failure	5	Hygiene standard	21
Electrical connection	5	Food/product contact material (FCM)	21
Input current required	6	Schiffbauzulassung	21
Maximum current consumption	6	Other standards and guidelines	21
Switch-on delay	6	Material certification	21
Overvoltage protection	6	Calibration	21
Performance characteristics	6	UL approval	21
Reference operating conditions	6	Ordering information	22
Maximum measured error	7	Accessories	22
Long-term drift	7	Device-specific accessories	22
Operating influences	7	Communication-specific accessories	25
Sensor response time	7	Service-specific accessories	26
Electronics response time	7	System components	27
Sensor current	7	Documentation	27
Calibration	8		
Mounting	8		
Orientation	8		
Installation instructions	8		
Environment	11		
Ambient temperature range	11		
Storage temperature	11		
Operating altitude	11		
Climate class	11		
Degree of protection	11		
Shock and vibration resistance	11		
Electromagnetic compatibility (EMC)	11		
Electrical safety	11		
Process	11		
Process temperature range	11		
Process pressure range	12		
Medium - state of aggregation	13		




About this document

Symbols

Symbols for certain types of information

Symbol	Meaning
	Permitted Procedures, processes or actions that are permitted.
	Preferred Procedures, processes or actions that are preferred.
	Forbidden Procedures, processes or actions that are forbidden.
	Tip Indicates additional information.
	Reference to documentation.
	Reference to page.
	Reference to graphic.
	Visual inspection.

Symbols in graphics

Symbol	Meaning	Symbol	Meaning
1, 2, 3,...	Item numbers		Series of steps
A, B, C, ...	Views	A-A, B-B, C-C, ...	Sections
	Hazardous area		Safe area (non-hazardous area)

Function and system design

Measuring principle

Resistance thermometer (RTD):

This insert uses a Pt100 according to IEC 60751 as the temperature sensor. The temperature sensor is a temperature-sensitive platinum resistor with a resistance of 100 Ω at 0 °C (32 °F) and a temperature coefficient $\alpha = 0.003851 \text{ } ^\circ\text{C}^{-1}$.

Thin film resistance sensors (TF):


A very thin, ultrapure platinum layer, approx. 1 μm thick, is vaporized in a vacuum on a ceramic substrate and then structured photolithographically. The platinum conductor paths formed in this way create the measuring resistance. Additional covering and passivation layers are applied and reliably protect the thin platinum layer from contamination and oxidation, even at high temperatures. The primary advantages of thin film temperature sensors are their smaller sizes and better vibration resistance.

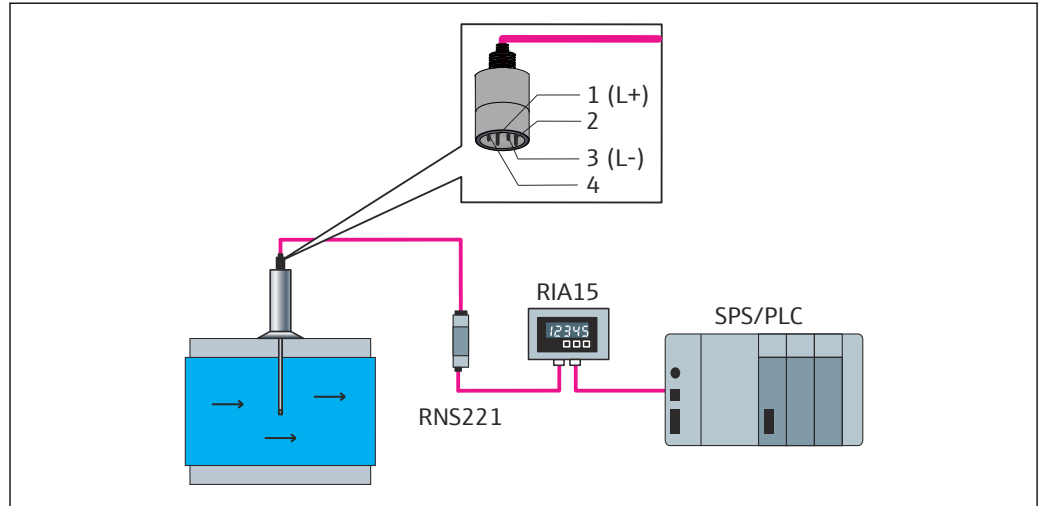
Measuring system

The compact thermometer measures the process temperature with a Pt100 sensor element (class A, 4-wire). An optional built-in transmitter converts the Pt100 input signal to an 4 to 20 mA output signal.


A broad portfolio of optimized components for the temperature measuring point is available to ensure seamless integration of the measuring point:

- Power supply unit/barrier
- Display units
- Overvoltage protection


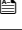

 For more detailed information, see the brochure "System Products and Data Managers - Solutions for the loop (FA00016K/EN)."



A0045087

 1 M12 connection with 4 to 20 mA analog output

Equipment architecture

Design	Options	
<p style="text-align: right; font-size: small;">A0044946</p>	1: Electrical connection, output signal	 Your benefits: <ul style="list-style-type: none"> ■ M12, 4-pin connector, reduced cost and effort, incorrect wiring is prevented ■ Optimum protection, IP69K as standard ■ Compact, integrated transmitter (4 to 20 mA)
	2: Transmitter housing	
	3: Extension neck	Optionally available if process temperature is too high for the electronics
	4: Process connection →  16	Over 25 different versions for industrial and hygienic applications.
	5: Thermowell	<ul style="list-style-type: none"> ■ Versions with and without thermowell (insert in direct contact with process) ■ Thermowell diameter 6 mm (0.25 in)
	6: Insert with Pt100 (TF):	 Your benefits: <ul style="list-style-type: none"> ■ Minimization of necessary immersion length: better product protection thanks to improved process flow ■ Excellent cost-performance ratio ■ Insert: Ø3 mm (1/8 in) or Ø6 mm (1/4 in)

Input

Measuring range Pt100 (TF) according to IEC 60751

Without extension neck	-50 to +150 °C (-58 to +302 °F)
With extension neck	-50 to +200 °C (-58 to +392 °F)

Min. span = 10 K (18 °F)

Output

Output signal	Sensor output	Pt100, 4-wire connection, class A
	Analog output	4 to 20 mA; variable measuring range

Signal on alarm The signal on alarm is generated if the measuring information is missing or not valid. In the 4 to 20 mA mode, the device transmits the failure information according to NAMUR NE43:

Underranging	Linear drop from 4.0 to 3.8 mA
Overranging	Linear increase from 20.0 to 20.5 mA
Failure e.g. sensor defective	≤ 3.6 mA (low) or ≥ 21 mA (high) can be selected The high alarm setting can be set between 21.5 mA and 23 mA, thus providing the flexibility needed to meet the requirements of various control systems.

Load

$R_{b \max} = (U_{b \max} - 10 \text{ V}) / 0.023 \text{ A}$ (current output)

The graph plots Load (Ω) on the y-axis against Supply voltage (V DC) on the x-axis. The y-axis has markings at 0, 250, 610, and 870. The x-axis has markings at 10 V, 15.75 V, 24 V, and 30 V. A solid line starts at 10 V and rises linearly. A shaded rectangular area is shown under the line, bounded by 15.75 V and 24 V on the x-axis and 250 Ω and 610 Ω on the y-axis. A point is marked on the line at 24 V and 610 Ω.

A0039780-EN

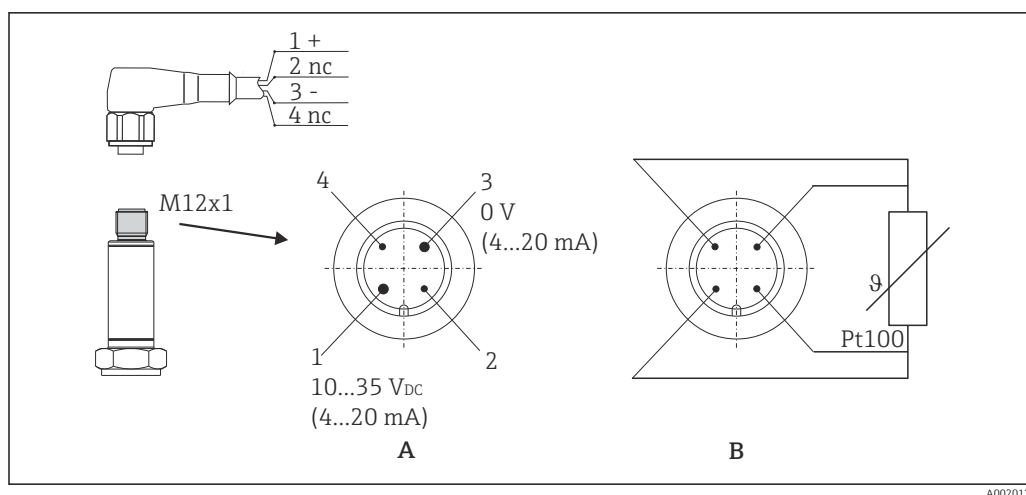
Linearization/transmission behavior Temperature - linear

Power supply

Supply voltage	U_b	10 to 35 V _{DC}
----------------	-------	--------------------------

- Power supply failure**
- To meet electrical safety according to CAN/CSA-C22.2 No. 61010-1 or UL 61010-1, the device may only be powered by a power supply unit with a limited energy electric circuit in accordance with UL/EN/IEC 61010-1 chapter 9.4 or Class 2 according to UL 1310, "SELV or Class 2 circuit".
 - Behavior in the event of overvoltage (> 30 V)
The device works continuously up to 35 V_{DC} without any damage. If the supply voltage is exceeded, the specified characteristics are no longer guaranteed.
 - Behavior in the event of undervoltage
If the supply voltage falls below the minimum value ~ 7 V, the device switches off in a defined manner (status as if not supplied with power).

Electrical connection According to the 3-A Sanitary Standard and the EHEDG, electrical connecting cables must be smooth, corrosion-resistant and easy to clean.



A0020176

2 Pin assignment, device plug

A Version with transmitter, M12 connector, 4-pin

B Version without transmitter, Pt100, 4-wire connection

1: Pin 1	Power supply 10 to 35 V _{DC} Current output 4 to 20 Cable connection, wire color brown = BN
2: Pin 2	Connection of PC configuration cable - shortened pin Cable connection, wire color white = WH
3: Pin 3	Power supply 0 V _{DC} Current output 4 to 20 Cable connection, wire color blue = BU
4: Pin 4	Connection of PC configuration cable - shortened pin Cable connection, wire color black = BK

Input current required ≤ 3.5 mA for 4 to 20 mA

Maximum current consumption ≤ 23 mA for 4 to 20 mA

Switch-on delay 2 s

Overvoltage protection To protect against overvoltage in the power supply and signal/communication cables for the thermometer electronics, the manufacturer offers the HAW562 surge arrester for DIN rail mounting.

 For more detailed information, see Technical Information HAW562 surge arrester (TI01012K).

Performance characteristics

Reference operating conditions	Adjustment temperature (ice bath)	0 °C (32 °F) for sensor
	Ambient temperature range	25 °C ± 3 °C (77 °F ± 5 °F) for electronics
	Supply voltage	24 V _{DC} ± 10 %
	Relative humidity	< 95 %

Maximum measured error

According to DIN EN 60770 and the reference conditions specified above. The measured error data correspond to $\pm 2 \sigma$ (Gaussian distribution). The data include non-linearities and repeatability.

 |T| = Numerical value of the temperature in °C without regard to algebraic sign.

Thermometer without electronics

Standard	Designation	Measuring range	Measured error ME (\pm)	
			Maximum ¹⁾	Based on measured value ²⁾
IEC 60751	Pt100 Cl. A	-50 to +200 °C (-58 to +392 °F)	0.55 K (0.99 °F)	ME = \pm (0.15 K (0.27 °F) + 0.002 * T)

- 1) Maximum measured error for the specified measuring range.
- 2) Deviations from maximum measured error possible due to rounding.

Thermometer with electronics

Standard	Designation	Measuring range	Measured error (\pm) ¹⁾
IEC 60751	Pt100 Cl. A	-50 to +200 °C (-58 to +392 °F)	0.1 K (0.18 °F) or 0.08 %

- 1) Percentage refers to the set span. The larger value is valid.

Total measured error of thermometer (sensor + electronics)

Standard	Designation	Measuring range	Measured error ME (\pm) ¹⁾
IEC 60751	Pt100 Cl. A	<ul style="list-style-type: none"> ▪ -50 to +150 °C (-58 to +302 °F) without extension neck ▪ -50 to +200 °C (-58 to +392 °F) with extension neck 	ME = \pm (0.25 K (0.48 °F) + 0.002 * T)

- 1) Deviations from maximum measured error possible due to rounding.

Long-term drift

Electronics:
 $\leq 0.1 \text{ K (0.18 °F)}/\text{year}$ or $0.05 \text{ %}/\text{year}$

Data under reference operating conditions. % refers to the set span. The larger value is valid.

Operating influences

The measured error data correspond to $\pm 2 \sigma$ (Gaussian distribution).

Ambient temperature	$T = \pm(15 \text{ ppm/K} * (\text{full scale value} + 200) + 50 \text{ ppm/K} * \text{set measuring range}) * \text{DT}$ DT = deviation of ambient temperature from the reference operating conditions
Supply voltage	$\leq \pm 0.01\%/V$ deviation from 24 V ¹⁾
Load	$\pm 0.02\%/100 \Omega$ ¹⁾

- 1) Specifications in percent refer to the full scale value of the measuring range

Sensor response time

Tests in water at 0.4 m/s (1.3 ft/s) according to IEC 60751; temperature changes in increments of 10 K. Response times measured for the version without electronics.

t_{50}	t_{90}
< 1 s	< 2 s

Electronics response time

Max. 1 s

 When recording step responses, it is important to bear in mind that the response times of the sensor might be added to the specified times.

Sensor current

$\leq 0.6 \text{ mA}$

Calibration**Calibration of thermometers**

Calibration involves comparing the measured values of a device under test (DUT) with those of a more precise calibration standard using a defined and reproducible measurement method. The aim is to determine the deviation of the DUT's measured values from the true value of the measured variable. Two different methods are used for thermometers:

- Calibration at fixed-point temperatures, e.g. at the freezing point of water at 0 °C
- Calibration compared against a precise reference thermometer

The thermometer to be calibrated must display the fixed point temperature or the temperature of the reference thermometer as accurately as possible. Temperature-controlled calibration baths with very homogeneous thermal values, or special calibration furnaces into which the DUT and the reference thermometer, where necessary, can project to a sufficient degree, are typically used for thermometer calibrations.

Sensor-transmitter-matching

The resistance/temperature curve of platinum resistance thermometers is standardized but in practice it is rarely possible to keep to the values precisely over the entire operating temperature range. For this reason, platinum resistance sensors are divided into tolerance classes, such as class A, AA or B as per IEC 60751. These tolerance classes describe the maximum permissible deviation of the specific sensor characteristic curve from the standard curve, i.e. the maximum temperature-dependent characteristic error that is permitted. The conversion of measured sensor resistance values at temperatures in temperature transmitters or other meter electronics is often susceptible to considerable errors as the conversion is generally based on the standard characteristic curve.

When temperature transmitters are used, this conversion error can be reduced significantly by sensor-transmitter-matching:

- Calibration at least at three temperatures and determination of the actual temperature sensor characteristic curve
- Adjustment of the sensor-specific polynomial function using appropriate Calendar-van-Dusen (CvD) coefficients
- Configuration of the temperature transmitter with the sensor-specific CvD coefficients for resistance/temperature conversion, and
- another calibration of the reconfigured temperature transmitter with the connected resistance thermometer

The manufacturer offers this sensor-transmitter-matching as a separate service. Furthermore, the sensor-specific polynomial coefficients of platinum resistance thermometers are indicated on every calibration protocol where possible, e.g. at least three calibration points.

For the device, the manufacturer offers standard calibrations at a reference temperature of -50 to +200 °C (-58 to +392 °F) based on the ITS90 (International Temperature Scale). Calibrations in other temperature ranges are available from your local sales center on request. Calibrations are traceable to national and international standards. The calibration certificate is referenced to the serial number of the device.

Mounting

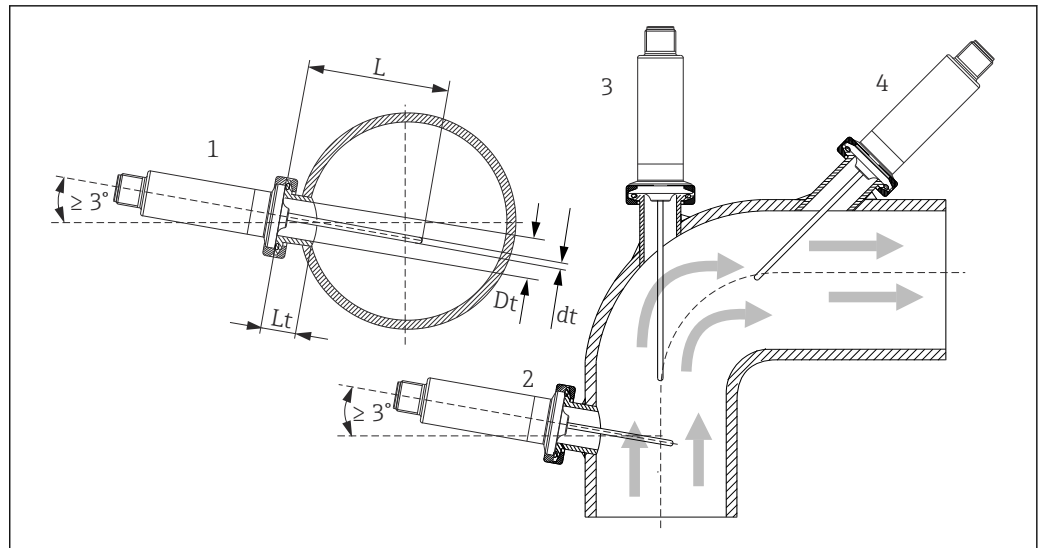
Orientation

No restrictions. However, self-draining in the process must be guaranteed. If there is an opening to detect leaks at the process connection, this opening must be at the lowest possible point.

Installation instructions

The immersion length of the compact thermometer can considerably influence the accuracy. If the immersion length is too short, measurement errors can occur as a result of heat conduction via the process connection and the vessel wall. If installing in a pipe, the immersion length should ideally correspond to half of the pipe diameter.

Installation possibilities: pipes, tanks or other plant components.



A0012591

3 Installation examples

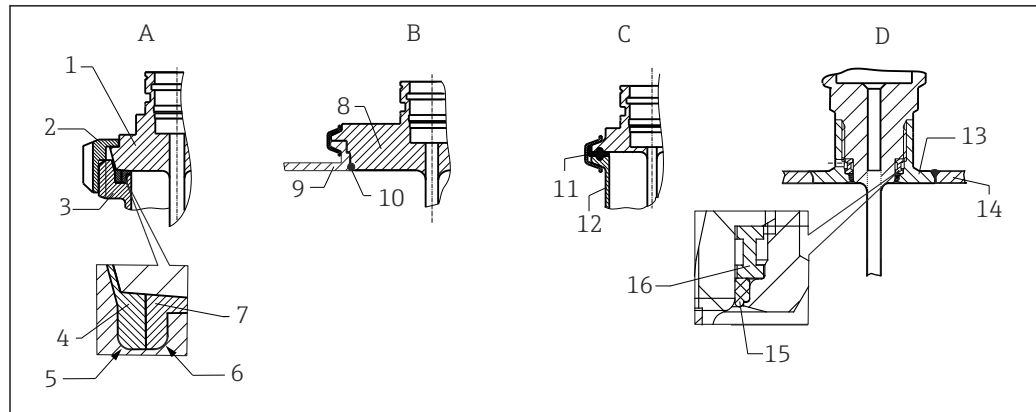
- 1, 2 Perpendicular to flow direction, installed at a min. angle of 3° to ensure self-draining
- 3 On elbows
- 4 Inclined installation in pipes with a small nominal diameter
- L Insertion length

i The requirements of the EHEDG and the 3-A Sanitary Standard must be adhered to.

Installation instructions EHEDG/cleanability: $L_t \leq (D_t - d_t)$

Installation instructions 3-A/cleanability: $L_t \leq 2(D_t - d_t)$

i In the case of pipes with a small nominal diameter, it is advisable for the tip of the thermometer to project well into the process so that it extends past the pipe axis. Installation at an angle (4) could be another solution. When determining the immersion or insertion length, all the parameters of the thermometer and of the medium to be measured must be taken into account (e.g. flow velocity, process pressure).



4 Detailed installation instructions for hygiene-compliant installation

- A Milk pipe connection according to DIN 11851, only in connection with EHEDG certified and self-centering sealing ring
- 1 Sensor with milk pipe connection
 - 2 Groove slip-on nut
 - 3 Counterpart connection
 - 4 Centering ring
 - 5 R0.4
 - 6 R0.4
 - 7 Sealing ring
- B Varivent® process connection for VARINLINE® housing
- 8 Sensor with Varivent connection
 - 9 Counterpart connection
 - 10 O-ring
- C Clamp according to ISO 2852
- 11 Gasket seal
 - 12 Counterpart connection
- D Process connection Liquiphant-M G1", horizontal installation
- 13 Weld-in adapter
 - 14 Vessel wall
 - 15 O-ring
 - 16 Thrust collar

NOTICE

The following actions must be taken if a sealing ring (O-ring) or seal fails:

- ▶ The thermometer must be removed.
- ▶ The thread and the O-ring joint/sealing surface must be cleaned.
- ▶ The sealing ring or seal must be replaced.
- ▶ CIP must be performed after installation.

In the case of weld-in connections, exercise the necessary degree of care when performing the welding work on the process side:

1. Use suitable welding material.
2. Flush-weld or weld with welding radius ≥ 3.2 mm (0.13 in).
3. Avoid crevices, folds or gaps.
4. Ensure the surface is honed and mechanically polished, $R_a \leq 0.76$ μm (30 μin).

Pay attention to the following when installing the thermometer to ensure that the cleanability is not affected:

1. The thermometer is suitable to be cleaned in built-in condition for CIP (cleaning in place). Cleaning is carried out in combination with tubing/piping or tank/vessel. Thermometers installed in tanks/vessels in combination with dead legs: Ensure with the installation of the cleaning instrument to spray directly the cleaning agent into the dead leg for cleaning out.
2. The Varivent® couplings enable flush-mount installation.

Environment

Ambient temperature range	T_a	-40 to +85 °C (-40 to +185 °F)
Storage temperature	T_s	-40 to +85 °C (-40 to +185 °F)
Operating altitude	Up to 2 000 m (6 600 ft) above sea level	
Climate class	As per IEC/EN 60654-1, class C	
Degree of protection	As per IEC/EN 60529: IP67 with coupling and connecting cable (not evaluated by UL). Depends on the degree of protection of the connection cable. → 25	
Shock and vibration resistance	4g in the range from 2 to 150 Hz as per DIN EN 60068-2-6	
Electromagnetic compatibility (EMC)	<p>EMC to all relevant requirements of the IEC/EN 61326-series and NAMUR Recommendation EMC (NE21). For details, refer to the Declaration of Conformity.</p> <p>Maximum fluctuations during EMC-tests: < 1 % of measuring span.</p> <p>Interference immunity to IEC/EN 61326-series, requirements for industrial areas</p> <p>Interference emission to IEC/EN 61326-series, electrical equipment Class B</p>	
Electrical safety	<ul style="list-style-type: none"> ■ Protection class III ■ Overvoltage category II ■ Pollution level 2 	

Process

Process temperature range The thermometer electronics must be protected against temperatures over 85 °C (185 °F) by an extension neck of the appropriate length.

Device version without electronics

Independent of the extension neck	-50 to +200 °C (-58 to +392 °F)
--	---------------------------------

Device version with electronics

Without extension neck	-50 to +150 °C (-58 to +302 °F)
With extension neck	-50 to +200 °C (-58 to +392 °F)


The following restrictions apply for the thermometer for general applications with a process connection, depending on the process connection and ambient temperature:

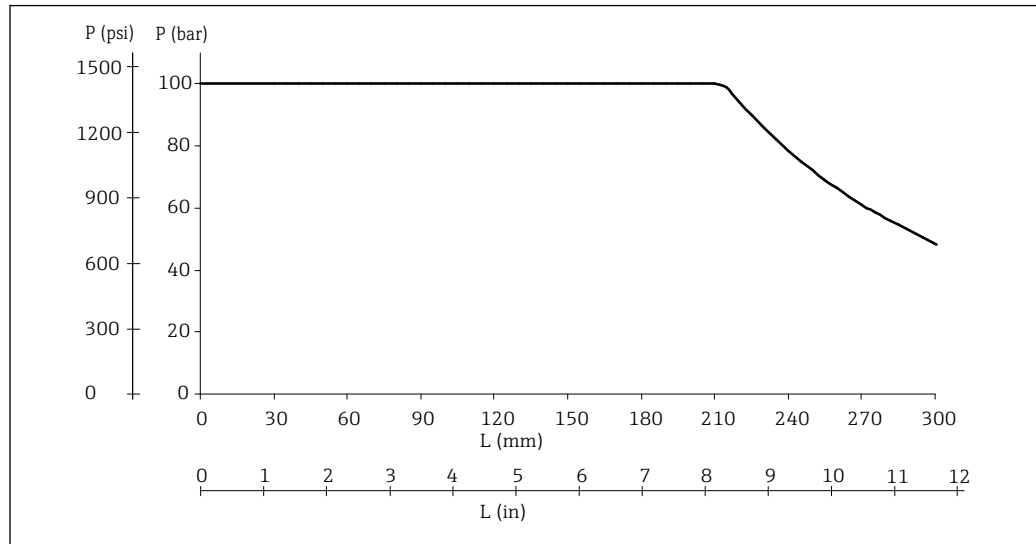
- If mounting with process connections with an adjustable insertion length, e.g. compression fitting with sealing taper, a corresponding extension neck length must be taken into consideration when installing. → 22
- Ambient temperatures must be taken into consideration


Maximum ambient temperature	Maximum process temperature	
	Without extension neck	With extension neck length 35 mm (1.38 in)
≤ 25 °C (77 °F)	150 °C (302 °F)	200 °C (392 °F)
≤ 40 °C (104 °F)	135 °C (275 °F)	180 °C (356 °F)

Maximum ambient temperature	Maximum process temperature	
	Without extension neck	With extension neck length 35 mm (1.38 in)
≤ 60 °C (140 °F)	120 °C (248 °F)	160 °C (320 °F)
≤ 85 °C (185 °F)	100 °C (212 °F)	133 °C (271 °F)

Process pressure range

The maximum possible process pressure depends on various influencing factors, such as the design, process connection and process temperature. Maximum possible process pressures for the individual process connections. →  16

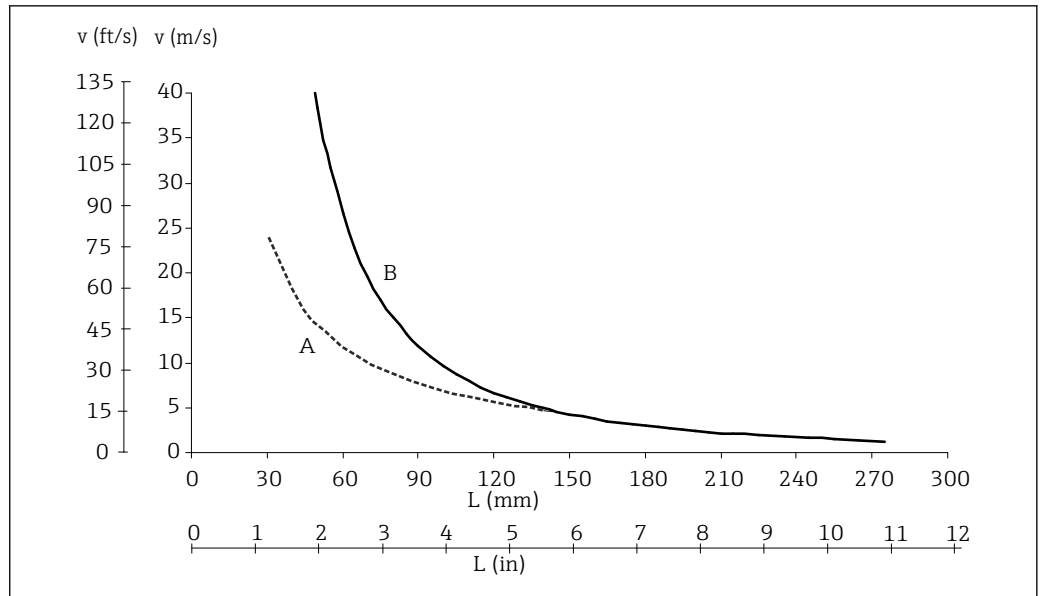


 5 Maximum permitted process pressure

L Insertion length

p Process pressure

The diagram not only considers the overpressure but also the pressure load caused by the flow, wherein a safety factor of 1.9 has been specified for operation with flow. The maximum permitted static operating pressure is lower for longer insertion lengths due to the increased bending load caused by the flow. The calculation assumes the maximum permitted flow velocity for the respective insertion length (see the diagram below).



6 Permitted flow velocity depending on the insertion length

L Insertion length during flow

v Flow velocity

A Medium: water at $T = 50\text{ °C}$ (122 °F)

B Medium: superheated steam at $T = 200\text{ °C}$ (392 °F)

The permitted flow velocity is the minimum from the resonance velocity (resonance distance 80%) and the load or buckling caused by flow, which would result in the failure of the thermometer tube or the undershooting of the safety factor (1.9). The calculation was performed for the specified limit operating conditions of $T = 200\text{ °C}$ (392 °F) and process pressure $p \leq 100\text{ bar}$ (1450 psi).

i It is possible to verify the mechanical loading capacity as a function of the installation and process conditions using the online TW Sizing Module for thermowells in the Endress+Hauser Applicator software. → 22

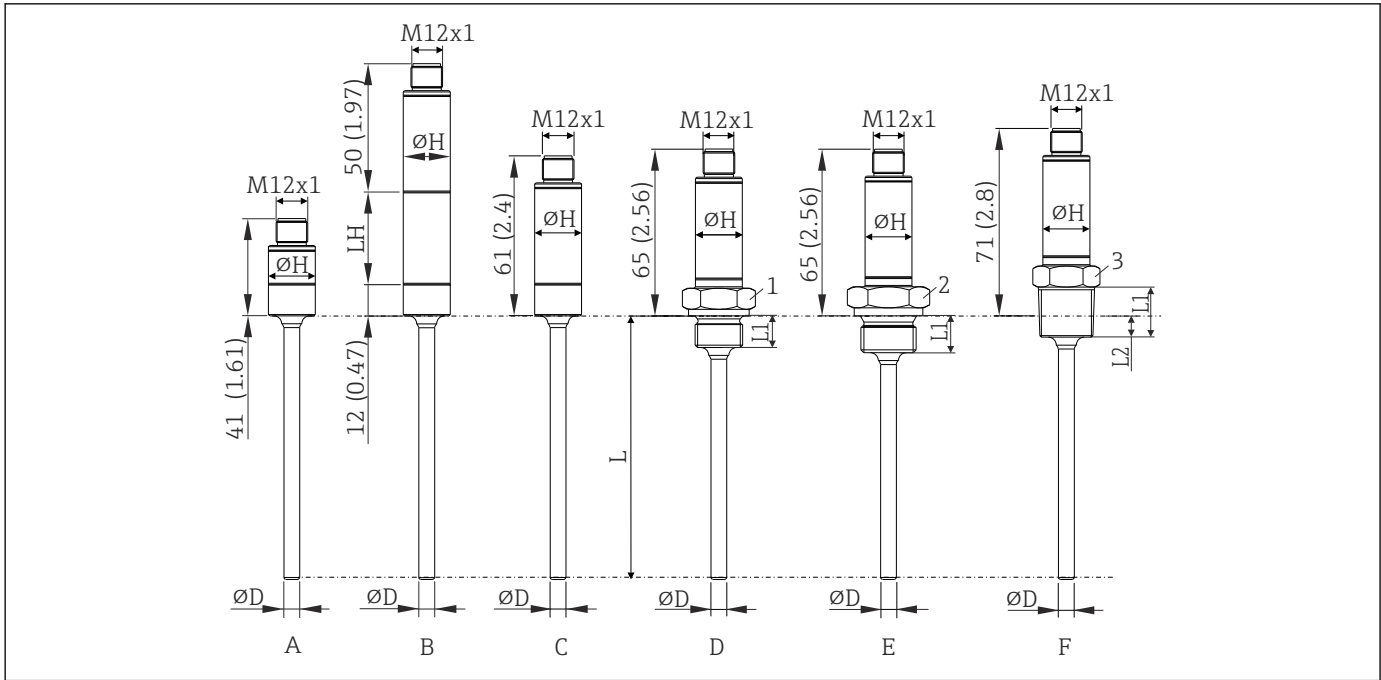
Medium - state of aggregation

Gaseous or liquid (also with high viscosity, e.g. yogurt).

Mechanical construction

Design, dimensions

Thermometer for general applications



A0020192

7 Dimensions in mm (in)

L Insertion length *L*, variable 40 to 600 mm (1.6 to 23.6 in)

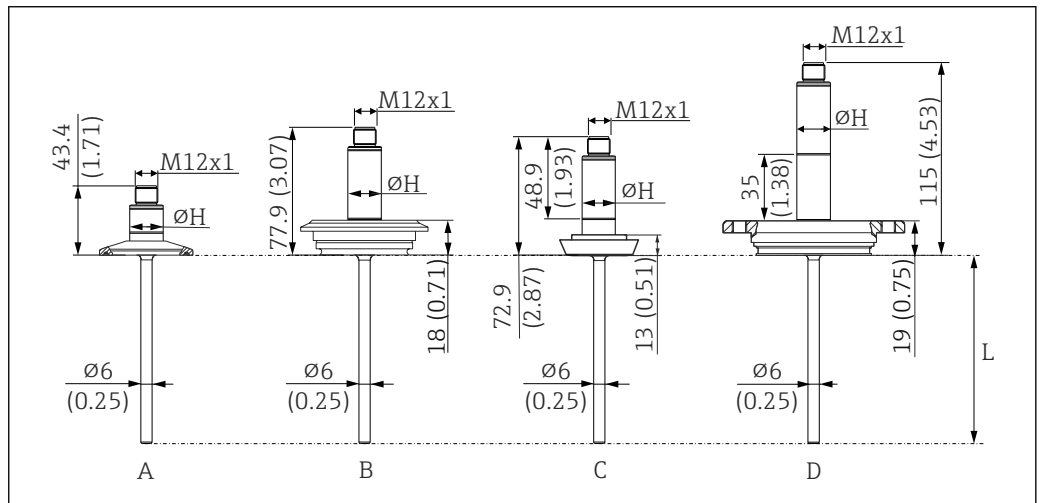
$\varnothing D$ Diameter *D* 6 mm (0.25 in)

$\varnothing H$ Sleeve diameter 18 mm (0.71 in)

Item	Version	Thread length <i>L</i> ₁	Thread length <i>L</i> ₂	<i>P</i> _{max.}
A	Shortened sleeve (without built-in transmitter, without extension neck, without process connection). For suitable welding bosses and compression fittings, see the Accessories section.	-	-	-
B	With extension neck; <i>L</i> _H = Extension neck length 35 mm or 50 mm (1.38 in or 1.97 in), without process connection. For suitable welding bosses and compression fittings, see the Accessories section.	-	-	-
C	Without extension neck, without process connection. For suitable welding bosses and compression fittings, see the Accessories section.	-	-	-
D	Without extension neck, metric threaded process connection: <ul style="list-style-type: none"> ■ M14x1.5 (1 = SW/AF19) ■ M18x1.5 (1 = SW/AF24) 	12 mm (0.47 in)	-	100 bar (1450 psi)
E	Without extension neck, threaded process connection, cylindrical as per ISO 228: <ul style="list-style-type: none"> ■ G¼" (2 = SW/AF19) ■ G½" (2 = SW/AF27) 	12 mm (0.47 in) 14 mm (0.55 in)	- -	
F	Without extension neck, threaded process connection in inches, conical: <ul style="list-style-type: none"> ■ ANSI NPT ¼" (3 = SW/AF19) ■ ANSI NPT ½" (3 = SW/AF27) ■ BSPT R ½" (3 = SW/AF22) 	14.3 mm (0.56 in) 19 mm (0.75 in) 19 mm (0.75 in)	5.8 mm (0.23 in) 8.1 mm (0.32 in) 8.1 mm (0.32 in)	

Design, dimensions

Thermometer for hygienic applications

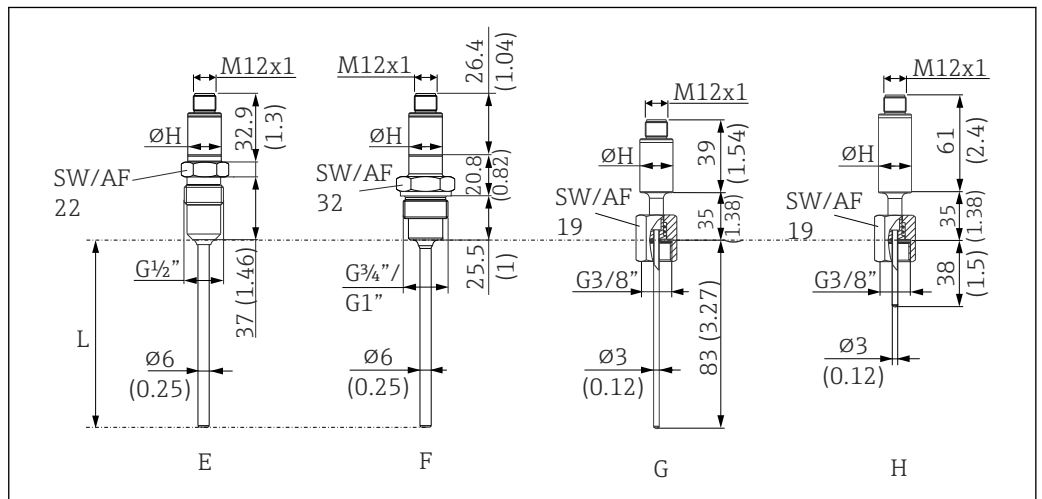


A0018283

8 Dimensions in mm (in)

L Insertion length L, variable 40 to 600 mm (1.6 to 23.6 in)

ØH Sleeve diameter 18 mm (0.71 in)



A0044938

9 Dimensions in mm (in)

L Insertion length L, variable 40 to 600 mm (1.6 to 23.6 in)

ØH Sleeve diameter 18 mm (0.71 in)

Item	Version
A	Shortened sleeve (without built-in transmitter, without extension neck), with 1" clamp process connection (example for minimum length)
B	Without extension neck, process connection Varivent F
C	Without extension neck, process connection according to DIN 11851
D	With extension neck 35 mm (1.38 in), with APV-INLINE process connection (example for maximum length)
E	Shortened sleeve (without built-in transmitter, without extension neck), process connection metal sealing system for hygienic processes, G½" thread. Suitable welding boss available as an accessory.
F	Shortened sleeve (without built-in transmitter, without extension neck), process connection for hygienic processes, G¾" or G1" thread, material 316L (1.4404). Suitable Liquiphant weld-in adapter available as an accessory.

Item	Version
G	Shortened sleeve (without built-in transmitter), with extension neck, insertion length 83 mm (3.27 in)
H	With extension neck, insertion length 38 mm (1.5 in)

Weight 0.2 to 2.5 kg (0.44 to 5.5 lbs) for standard versions

Material The temperatures for continuous operation specified in the following table are only intended as reference values for use of the various materials in air and without any significant compressive load. The maximum operating temperatures can be reduced considerably in cases where abnormal conditions such as high mechanical load occur or in aggressive media.

Designation	Short form	Recommended max. temperature for continuous use in air	Features
AISI 316L (corresponds to 1.4404 or 1.4435)	X2CrNiMo17-13-2, X2CrNiMo18-14-3	650 °C (1 202 °F) ¹⁾	<ul style="list-style-type: none"> ■ Austenitic, stainless steel ■ High corrosion resistance in general ■ Particularly high corrosion resistance in chlorine-based and acidic, non-oxidizing atmospheres through the addition of molybdenum (e.g. phosphoric and sulfuric acids, acetic and tartaric acids with a low concentration) ■ Increased resistance to intergranular corrosion and pitting

1) Can be used to a limited extent up to 800 °C (1472 °F) for low compressive loads and in non-corrosive media. More information is available from the sales organization.

Surface roughness

Values for wetted surfaces:

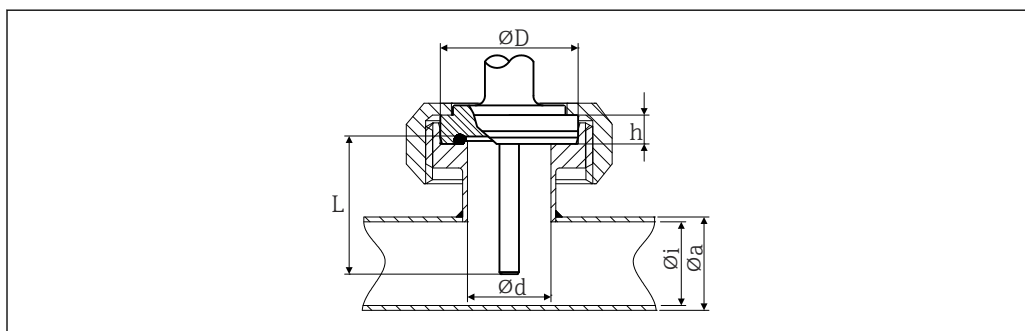
Standard surface, mechanically polished ¹⁾	$R_a \leq 0.76 \mu\text{m}$ (30 μin)
Mechanically polished ¹⁾ , buffed ²⁾	$R_a \leq 0.38 \mu\text{m}$ (15 μin)
Mechanically polished ¹⁾ , buffed and electropolished	$R_a \leq 0.38 \mu\text{m}$ (15 μin) + electropolished

1) Or equivalent treatment that guarantees R_a max

2) Not compliant with ASME BPE

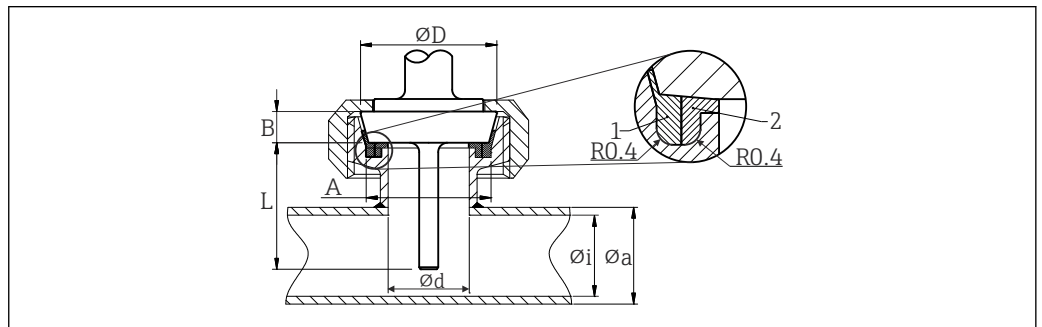
Process connections for hygienic applications

All dimensions in mm (in).



10 Aseptic pipe union according to DIN 11864-1, Form A

Version	Dimensions					Technical properties
	ϕd	ϕD	ϕi	ϕa	h	
DN25	26 mm (1.02 in)	42.9 mm (1.7 in)	26 mm (1.02 in)	29 mm (1.14 in)	9 mm (0.35 in)	<ul style="list-style-type: none"> ■ $P_{\text{max.}} = 40 \text{ bar}$ (580 psi) ■ 3-A[®] marked and EHEDG certified ■ ASME BPE compliance



A0045090

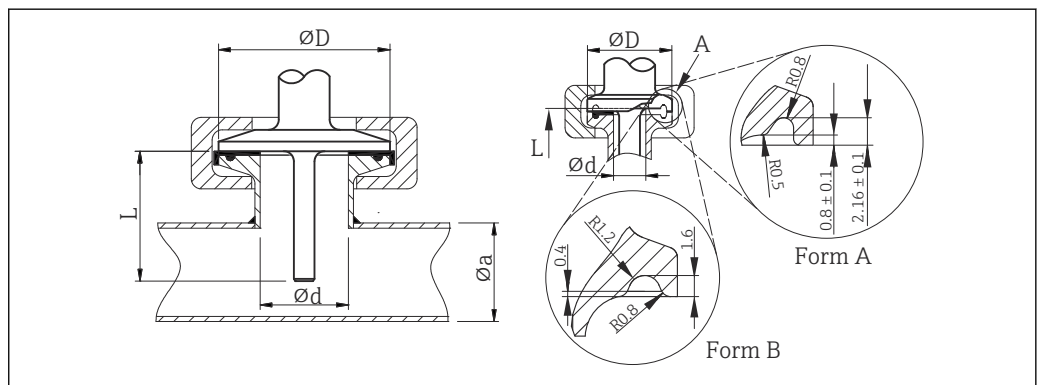
11 Milk pipe connection according to DIN 11851

- 1 Centering ring
- 2 Sealing ring

- 3-A® marked and EHEDG certified (only with EHEDG-certified and self-centering sealing ring).
- ASME BPE compliance

Version ¹⁾	Type					Technical properties
	Dimensions					
	$\varnothing D$	A	B	$\varnothing i$	$\varnothing a$	$P_{max.}$
DN25	44 mm (1.73 in)	30 mm (1.18 in)	10 mm (0.39 in)	26 mm (1.02 in)	29 mm (1.14 in)	40 bar (580 psi)
DN40	56 mm (2.2 in)	42 mm (1.65 in)	10 mm (0.39 in)	38 mm (1.5 in)	41 mm (1.61 in)	40 bar (580 psi)
DN50	68 mm (2.68 in)	54 mm (2.13 in)	11 mm (0.43 in)	50 mm (1.97 in)	53 mm (2.1 in)	25 bar (363 psi)

1) Pipes in accordance with DIN 11850



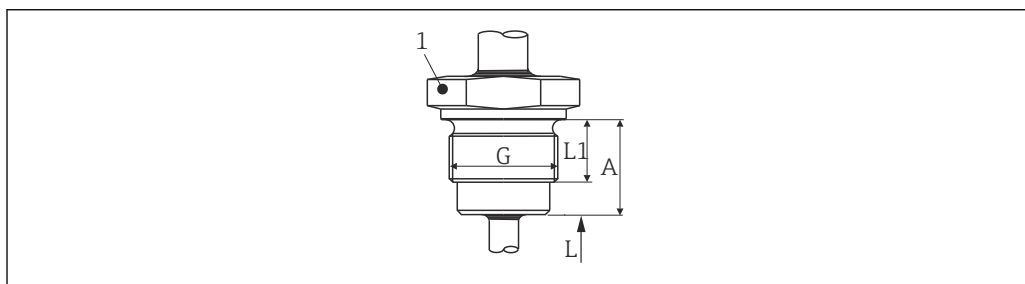
A0045091

12 Clamp according to ISO 2852

- A Form A: in compliance with ASME BPE Type A and Form B: in compliance with ASME BPE Type B and ISO 2852

Version	Dimensions		Technical properties	Conformity
	ϕd : ¹⁾	ϕD		
Microclamp ²⁾ DN8-18 (0.5"-0.75") ³⁾ , Form A	25 mm (0.98 in)	-	<ul style="list-style-type: none"> ■ $P_{max.} = 16 \text{ bar (232 psi)}$, depends on clamp ring and suitable seal ■ 3-A® marked 	ASME BPE Type A
Clamp DN25-38 (1"-1.5"), Form B	50.5 mm (1.99 in)	29 to 42.4 mm (1.14 to 1.67 in)		ASME BPE Type B; ISO 2852
Clamp DN40-51 (2"), Form B	64 mm (2.52 in)	44.8 to 55.8 mm (1.76 to 2.2 in)		ASME BPE Type B; ISO 2852
Clamp DN63,5 (2.5"), Form B	77.5 mm (3.05 in)	68.9 to 75.8 mm (2.71 to 2.98 in)		ASME BPE Type B; ISO 2852

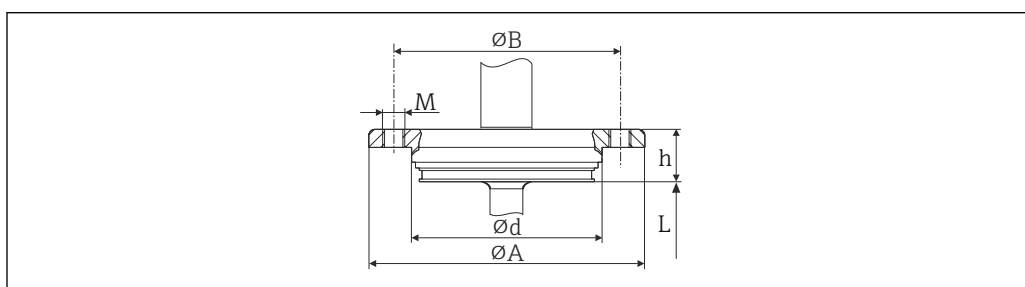
- 1) Pipes in accordance with ISO 2037 and BS 4825 Part 1
- 2) Microclamp (not in ISO 2852); no standard pipes
- 3) DN8 (0.5") only possible with thermowell diameter = 6 mm (¼ in)



A0045092

13 Thread according to ISO 228 for weld-in adapter Liquiphant

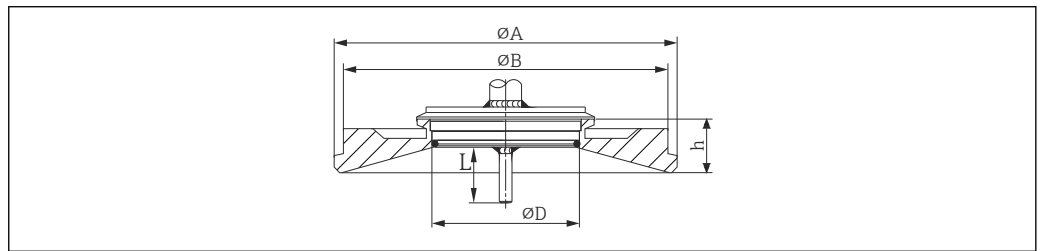
Version G	Dimensions			Technical properties
	L1 thread length	A	1 (SW/AF)	
G¾" for FTL20/31/33 adapter	16 mm (0.63 in)	25.5 mm (1 in)	32	<ul style="list-style-type: none"> ■ $P_{max.} = 25 \text{ bar (362 psi)}$ at max. 150 °C (302 °F) ■ $P_{max.} = 40 \text{ bar (580 psi)}$ at max. 100 °C (212 °F) ■ 3-A® marked and EHEDG certified in conjunction with FTL31/33/50 adapter ■ ASME BPE compliance
G¾" for FTL50 adapter				
G1" for FTL50 adapter	18.6 mm (0.73 in)	29.5 mm (1.16 in)	41	



A0045093

14 APV inline

Version	Dimensions					Technical properties
	ϕd	ϕA	ϕB	M	h	
DN50	69 mm (2.72 in)	99.5 mm (3.92 in)	82 mm (3.23 in)	2xM8	19 mm (0.75 in)	<ul style="list-style-type: none"> ■ $P_{max.} = 25$ bar (362 psi) ■ 3-A® marked and EHEDG certified ■ ASME BPE compliance



A0045094

15 Varivent®

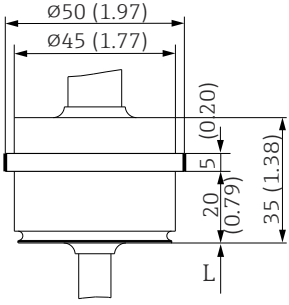
Version	Dimensions				Technical properties	
	ϕD	ϕA	ϕB	h	$P_{max.}$	
Type F	50 mm (1.97 in)	145 mm (5.71 in)	135 mm (5.31 in)	24 mm (0.95 in)	10 bar (145 psi)	<ul style="list-style-type: none"> ■ 3-A® marked and EHEDG certified ■ ASME BPE compliance
Type N	68 mm (2.67 in)	165 mm (6.5 in)	155 mm (6.1 in)	24.5 mm (0.96 in)		

i The VARINLINE® housing connection flange is suitable for weld-in into the conical or torispherical head in tanks or vessels with a small diameter (≤ 1.6 m (5.25 ft)) and up to a wall thickness of 8 mm (0.31 in).

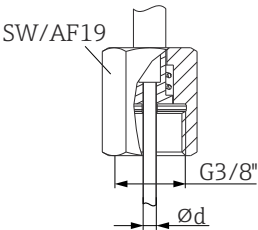
Varivent® Type F cannot be used for installations in pipes in combination with the VARINLINE® housing connection flange.

Type	Version	Technical properties
Metal sealing system G½" 	Thermowell diameter 6 mm (¼ in)	$P_{max.} = 16$ bar (232 psi) i Maximum torque = 10 Nm (7.38 lbf ft)

A0045095

Type	Version	Technical properties
Process adapter 	D45	-

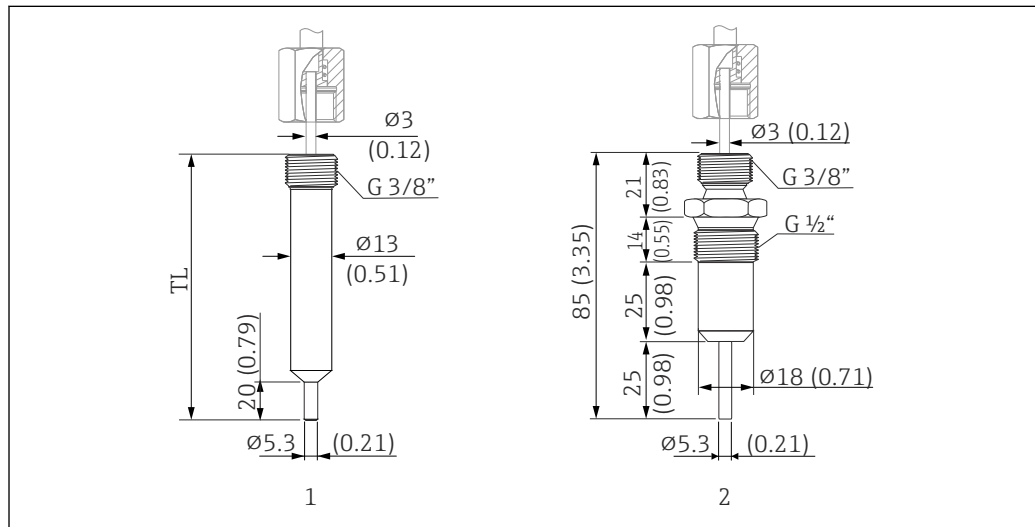
A0045096

Type	Version	Technical properties
Spring-loaded cap-nut 	G3/8" thread for mounting in a thermowell	-

A0044937

Thermowell design, dimensions

Thermometer for hygienic applications



A0018305

16 Thermowell for connection to the compact thermometer with spring-loaded cap-nut and G3/8" thread.
 Dimensions in mm (in)

- 1 Cylindrical thermowell, TL = 70 mm (2.76 in), option WA or 85 mm (3.35 in), option WB, with 3-A[®] symbol, $P_{max.} = 250$ bar (3 626 psi) with maximum flow velocity of 40 m/s (131 ft/s)
- 2 Thermowell, metal-to-metal seal, $P_{max.} = 16$ bar (232 psi)

Human interface

Local operation

There are no operating elements directly on the device. The temperature transmitter is configured via remote operation.

Local display	There are no display elements directly on the device. The measured value and diagnostic messages, for instance, can be accessed via the interface with PC software.
Remote operation	Configuration via configuration set TXU10, for PC-programmable thermometer - with setup software (ReadWin 2000) and interface for PC with USB port. The software can be downloaded free of charge from the following website: www.endress.com/readwin

Certificates and approvals

CE mark	The product meets the requirements of the harmonized European standards. As such, it complies with the legal specifications of the EC directives. The manufacturer confirms successful testing of the product by affixing to it the CE-mark.
EAC mark	The product meets the legal requirements of the EEU guidelines. The manufacturer confirms the successful testing of the product by affixing the EAC mark.
Hygiene standard	<ul style="list-style-type: none"> ▪ EHEDG certification, type EL CLASS I. EHEDG certified/tested process connections. →  16 ▪ 3-A Authorization No. 1144, 3-A Sanitary Standard 74-07. Listed process connections. →  16 ▪ ASME BPE, certificate of conformity can be ordered for indicated options ▪ FDA-compliant ▪ All surfaces in contact with the medium are free from materials derived from bovine animals or other livestock (ADI/TSE)
Food/product contact material (FCM)	The food/product contact material of the thermometer meets the following European regulations: <ul style="list-style-type: none"> ▪ (EC) No. 1935/2004, Article 3, paragraph 1, Articles 5 and 17 on materials and articles intended to come into contact with food. ▪ (EC) No. 2023/2006 on good manufacturing practice for materials and articles intended to come into contact with food. ▪ (EC) No. 10/2011 on plastic materials and articles intended to come into contact with food.
Schiffbauzulassung	Information on the Type Approval Certificates currently available (DNVGL, BV, etc.) can be obtained from the sales organization.
Other standards and guidelines	<ul style="list-style-type: none"> ▪ IEC 60529: Degrees of protection provided by enclosures (IP code) ▪ IEC/EN 61010-1: Safety requirements for electrical equipment for measurement, control, and laboratory use ▪ IEC/EN 61326 series: Electromagnetic compatibility (EMC requirements)
Material certification	The material certificate 3.1 (according to EN 10204) can be requested separately. The short form certificate includes a simplified declaration with no enclosures of documents related to the materials used in the design of the individual sensor, but guarantees the traceability of the materials through the identification number of the thermometer. The data regarding the origin of the materials can subsequently be requested by the client if necessary.
Calibration	The factory calibration is performed according to an internal procedure in a laboratory of the manufacturer that is accredited by the European Accreditation Organization (EA) according to ISO/IEC 17025. A calibration which is performed according to EA guidelines (SIT/Accredia or DKD/DAkKS) can be requested separately. The calibration is performed on the replaceable insert of the thermometer. In the case of thermometers without a replaceable insert, the entire thermometer - from the process connection to the tip of the thermometer - is calibrated.
UL approval	More information under UL Product iq™, search for keyword "E225237")

Ordering information

Detailed ordering information is available for your nearest sales organization www.addresses.endress.com or in the Product Configurator under www.endress.com :

1. Click Corporate
2. Select the country
3. Click Products
4. Select the product using the filters and search field
5. Open the product page

The Configuration button to the right of the product image opens the Product Configurator.

Product Configurator - the tool for individual product configuration

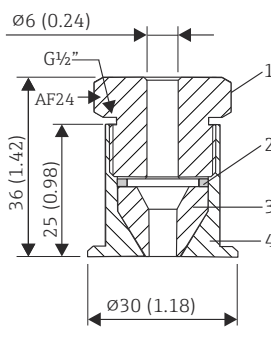
- Up-to-the-minute configuration data
- Depending on the device: Direct input of measuring point-specific information such as measuring range or operating language
- Automatic verification of exclusion criteria
- Automatic creation of the order code and its breakdown in PDF or Excel output format
- Ability to order directly in the Endress+Hauser Online Shop

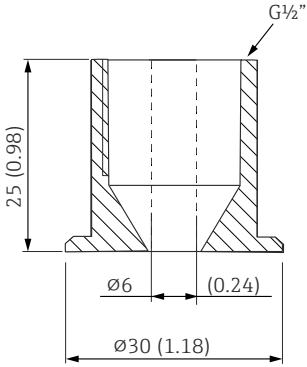
Accessories

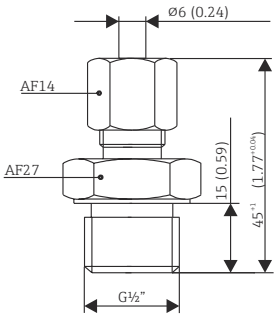
Various accessories, which can be ordered with the device or subsequently from Endress+Hauser, are available for the device. Detailed information on the order code in question is available from your local Endress+Hauser sales center or on the product page of the Endress+Hauser website: www.endress.com.

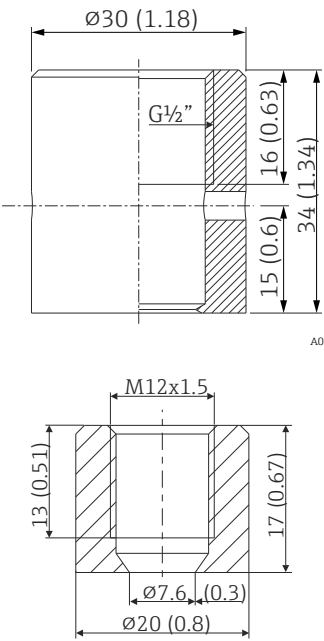
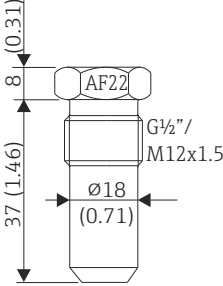
All dimensions in mm (in).

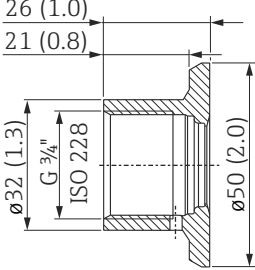
Device-specific accessories

Accessories	Description
<p>Welding boss with sealing taper</p>  <p>1 Pressure screw, 303/304 2 Washer, 303/304 3 Sealing taper, PEEK 4 Collar welding boss, 316L</p> <p>A0020709-EN</p>	<ul style="list-style-type: none"> ■ Collar welding boss movable with sealing taper, washer and pressure screw G$\frac{1}{2}$" ■ Material of parts in contact with the process 316L, PEEK ■ Max. process pressure 10 bar (145 psi) ■ Order number with pressure screw 51004751 ■ Order number without pressure screw 51004752

Accessories	Description
<p style="text-align: center;">Collar welding boss</p>  <p style="text-align: right; font-size: small;">A0020710</p>	<ul style="list-style-type: none"> ■ Material of parts in contact with the process 316L ■ Order number without pressure screw 51004752

Accessories	Description
<p style="text-align: center;">Compression fitting</p>  <p style="text-align: right; font-size: small;">A0020174-EN</p>	<ul style="list-style-type: none"> ■ Adjustable clamping ring, for process connections G$\frac{1}{2}$", G$\frac{3}{4}$", G1", NPT $\frac{1}{2}$", etc. ■ Material of compression fitting and parts in contact with the process, 316L ■ Order number TA50-HB (other versions can be configured in the TA50 structure)

Accessories	Description
<p data-bbox="432 255 802 309">Welding boss with sealing taper (metal-metal)</p>  <p data-bbox="767 667 820 680">A0006621</p> <p data-bbox="767 981 820 994">A0018236</p>	<ul data-bbox="836 255 1390 389" style="list-style-type: none"> ■ Welding boss for G$\frac{1}{2}$" or M12x1.5 thread ■ Metal-sealing; conical ■ Material of parts in contact with the process 316L/1.4435 ■ Max. process pressure 16 bar (232 PSI) ■ Order number 71424800 (G$\frac{1}{2}$")
<p data-bbox="555 1010 679 1032">Dummy plug</p>  <p data-bbox="751 1361 820 1375">A0009213-EN</p>	<ul data-bbox="836 1010 1366 1115" style="list-style-type: none"> ■ Dummy plug for G$\frac{1}{2}$" or M12x1.5 conical metal-sealing welding boss ■ Material: SS 316L/1.4435 ■ Order number 60022519 (G$\frac{1}{2}$")

Accessories	Description
<p data-bbox="427 1487 810 1541">Weld-in adapter for FTL31/33/20, vessel mounting</p>  <p data-bbox="767 1850 820 1863">A0008810</p>	<ul data-bbox="836 1487 1430 1697" style="list-style-type: none"> ■ G$\frac{3}{4}$", d=50 mm, with flange ■ Material 316L ■ Roughness in μm (μin), 0.8 (31.5) ■ Order number 52018765 (with inspection certificate EN10204-3.1 material) ■ Order number for seal (5-pc. set), silicone O-ring 52021717¹⁾, FDA-compliant ■ EHEDG tested and 3-A marked

1) A seal is included in the delivery.

Accessories	Description
<p>Weld-in adapter for FTL50</p> <p style="text-align: right; font-size: small;">A0008274</p>	<ul style="list-style-type: none"> ▪ G$\frac{3}{4}$", d=55 mm, with flange ▪ Material 316L ▪ Roughness in μm (μin), 0.8 (31.5) ▪ Order number 52001052 (without inspection certificate EN10204-3.1 material) ▪ Order number 52011897 (with inspection certificate EN10204-3.1 material) ▪ Order number for seal (5-pc. set), silicone O-ring 52014473 ¹⁾, FDA-compliant ▪ EHEDG tested and 3-A marked

1) A seal is included in the delivery.

Accessories	Description
<p>Weld-in adapter for FTL50</p> <p style="text-align: right; font-size: small;">A0008267</p>	<ul style="list-style-type: none"> ▪ G1", d=60 mm, with flange ▪ Material 316L ▪ Roughness in μm (μin), 0.8 (31.5) ▪ Order number: 52001051 (without inspection certificate EN10204-3.1 material) ▪ Order number 52011896 (with inspection certificate EN10204-3.1 material) ▪ Order number for seal (5-pc. set): silicone O-ring 52014472 ¹⁾, FDA-compliant ▪ EHEDG tested and 3-A marked

1) A seal is included in the delivery.

Maximum process pressure for the weld-in adapters:

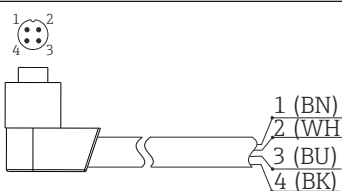
- 25 bar (362 psi) at max. 150 °C (302 °F)
- 40 bar (580 psi) at max. 100 °C (212 °F)

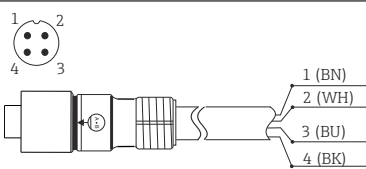
For more information on weld-in adapters FTL20, FTL31, FTL33, FTL50, see the Technical Information TI00426F.

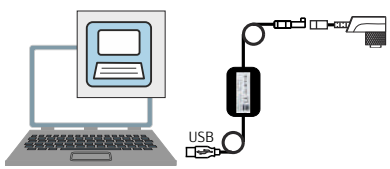
Communication-specific accessories

Coupling

Accessories	Description
<ul style="list-style-type: none"> ▪ M12x1 coupling; elbowed, for termination of connecting cable by user ▪ Connection to M12x1 housing connector ▪ Body materials PBT/PA, ▪ Cap-nut GD-Zn, nickel-plated ▪ IP67 degree of protection (fully locked) ▪ Order number 51006327 ▪ Voltage: max. 250 V ▪ Current carrying capacity: max. 4 A ▪ Temperature: -40 to 85 °C 	<p style="text-align: right; font-size: small;">A0020722</p>

Accessories	Description
<ul style="list-style-type: none"> ▪ PVC cable, 4 x 0.34 mm² (22 AWG) with M12x1 coupling, elbow plug, screw plug, length 5 m (16.4 ft) ▪ IP67 degree of protection ▪ Order number 51005148 ▪ Voltage: max. 250 V ▪ Current carrying capacity: max. 4 A ▪ Temperature: -25 to 70 °C <p>Wire colors:</p> <ul style="list-style-type: none"> ▪ 1 = BN brown ▪ 2 = WH white ▪ 3 = BU blue ▪ 4 = BK black 	 <p>A0020723</p>

Accessories	Description
<ul style="list-style-type: none"> ▪ PVC cable, 4 x 0.34 mm² (22 AWG) with M12x1 coupling nut made of epoxy coated zinc, straight socket contact, screw plug, 5 m (16.4 ft) ▪ IP67 degree of protection ▪ Order number 71217708 ▪ Voltage: max. 250 V ▪ Current carrying capacity: max. 4 A ▪ Temperature: -20 to 105 °C <p>Wire colors:</p> <ul style="list-style-type: none"> ▪ 1 = BN brown ▪ 2 = WH white ▪ 3 = BU blue ▪ 4 = BK black 	 <p>A0020725</p>






Accessories	Description
<p>Configuration kit for PC-programmable transmitters - setup program and interface cable (4-pin connector) for PC with USB port + adapter for compact thermometer with M12x1 thread</p> <p>Order code: TXU10</p>	 <p>A0028635</p>

Service-specific accessories

Accessories	Description
<p>Applicator</p>	<p>Software for selecting and sizing Endress+Hauser measuring devices:</p> <ul style="list-style-type: none"> ▪ Calculation of all the necessary data for identifying the optimum measuring device: e.g. pressure loss, accuracy or process connections. ▪ Graphic illustration of the calculation results <p>Administration, documentation and access to all project-related data and parameters over the entire life cycle of a project.</p> <p>Applicator is available: Via the Internet: https://portal.endress.com/webapp/applicator</p>

Accessories	Description
Configurator	<p>Product Configurator - the tool for individual product configuration</p> <ul style="list-style-type: none"> ▪ Up-to-the-minute configuration data ▪ Depending on the device: Direct input of measuring point-specific information such as measuring range or operating language ▪ Automatic verification of exclusion criteria ▪ Automatic creation of the order code and its breakdown in PDF or Excel output format ▪ Ability to order directly in the Endress+Hauser Online Shop <p>The Configurator is available on the Endress+Hauser website at: www.endress.com -> Click "Corporate" -> Select your country -> Click "Products" -> Select the product using the filters and search field -> Open product page -> The "Configure" button to the right of the product image opens the Product Configurator.</p>
W@M	<p>Life cycle management for your plant</p> <p>W@M offers assistance with a wide range of software applications over the entire process: from planning and procurement to the installation, commissioning and operation of the measuring devices. All the relevant information is available for every measuring device over the entire life cycle, such as the device status, device-specific documentation, spare parts etc.</p> <p>The application already contains the data of your Endress+Hauser device. Endress+Hauser also takes care of maintaining and updating the data records.</p> <p>W@M is available: Via the Internet: www.endress.com/lifecyclemanagement</p>

System components

Accessories	Description
RIA16 field indicator	<p>The field indicator presents the analog measuring signal on the display. The LC display shows the current measured value in digital form and as a bar graph indicating a limit value violation. The indicator is looped into the 4 to 20 mA circuit and gets the required energy from there.</p> <p> For details, see Technical Information TI00144R</p>
RIA15 field indicator	<p>Field indicator for integration into 4 to 20 mA, panel mounting</p> <p> For details, see Technical Information TI00143K</p>
RIA14 field indicator	<p>Field indicator for integration into 4 to 20 mA, optionally with Ex d approval.</p> <p> For details, see document TI00143R</p>
RN221N	<p>Active barrier with power supply for safe separation of 4 to 20 mA standard signal circuits.</p> <p> For details, see Technical Information TI00073R and Operating Instructions BA00202R</p>
RNS221	<p>Supply unit for powering two 2-wire measuring devices solely in the non-Ex area.</p> <p> For details, see Technical Information TI00081R and Brief Operating Instructions KA00110R</p>

Documentation

- Easytemp TMR31, TMR35 Compact Thermometer Operating Instructions (BA00215R)
- iTHERM TT411 Thermowell, Technical Information (TI01099T)



71515363

www.addresses.endress.com
