

ebm-papst Mulfingen GmbH & Co. KG

Bachmühle 2 · D-74673 Mulfingen

Phone +49 7938 81-0

Fax +49 7938 81-110

info1@de.ebmpapst.com

www.ebmpapst.com

Limited partnership · Headquarters Mulfingen

Amtsgericht (court of registration) Stuttgart · HRA 590344

General partner Elektrobau Mulfingen GmbH · Headquarters Mulfingen

Amtsgericht (court of registration) Stuttgart · HRB 590142

Nominal data

Type	R3G355-AM29-71	
Motor	M3G084-FA	
Phase		1~
Nominal voltage	VAC	230
Nominal voltage range	VAC	200 .. 277
Frequency	Hz	50/60
Method of obtaining data		ml
Speed (rpm)	min ⁻¹	1890
Power consumption	W	502
Current draw	A	3.15
Min. ambient temperature	°C	-25
Max. ambient temperature	°C	40

ml = Max. load · me = Max. efficiency · fa = Free air · cs = Customer specification · ce = Customer equipment
Subject to change

Data according to Commission Regulation (EU) 327/2011

		Actual	Req. 2015
01 Overall efficiency η_{es}	%	61.7	48.3
02 Measurement category		A	
03 Efficiency category		Static	
04 Efficiency grade N		75.4	62
05 Variable speed drive		Yes	

Data obtained at optimum efficiency level.

The ErP data is determined using a motor-impeller combination in a standardized measurement setup.

09 Power consumption P_{ed}	kW	0.5
09 Air flow q_v	m ³ /h	2110
09 Pressure increase p_{fs}	Pa	477
10 Speed (rpm) n	min ⁻¹	1895
11 Specific ratio*		1.00

* Specific ratio = $1 + p_{fs} / 100\,000\text{ Pa}$

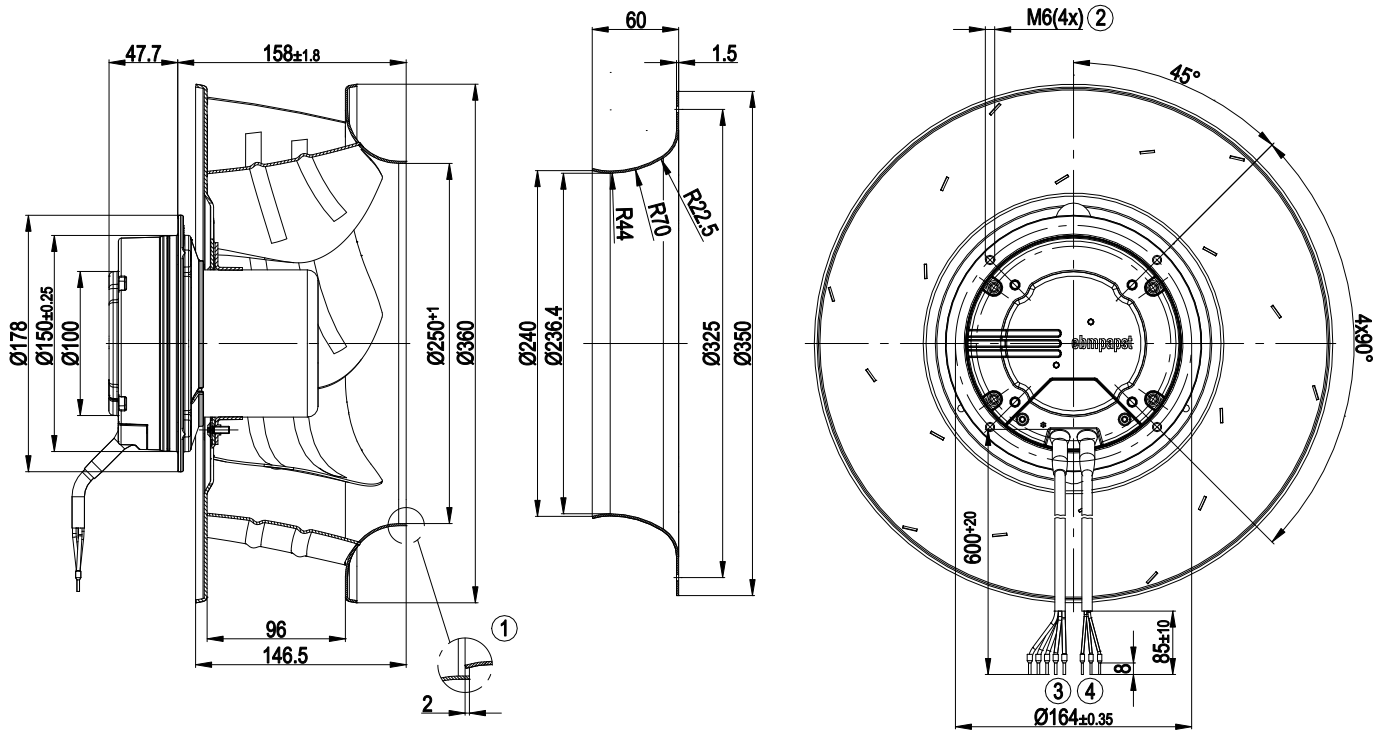
LU-68189



Technical description

Weight	5.68 kg
Size	355 mm
Motor size	84
Rotor surface	Painted black
Electronics housing material	Die-cast aluminum
Impeller material	Sheet aluminum
Number of blades	6
Direction of rotation	Clockwise, viewed toward rotor
Degree of protection	IP54
Insulation class	"B"
Moisture (F) / Environmental (H) protection class	H1
Max. permitted ambient temp. for motor (transport/storage)	+80 °C
Min. permitted ambient temp. for motor (transport/storage)	-40 °C
Installation position	Shaft horizontal or rotor on bottom; rotor on top on request
Condensation drainage holes	None
Mode	S1
Motor bearing	Ball bearing
Technical features	<ul style="list-style-type: none"> - Output 10 VDC, max. 1.1 mA - Alarm relay - Motor current limitation - Soft start - Control input 0-10 VDC / PWM - Thermal overload protection for electronics/motor - Line undervoltage detection
EMC immunity to interference	According to EN 61000-6-2
EMC circuit feedback	According to EN 61000-3-2/3
EMC interference emission	According to EN 61000-6-3
Touch current according to IEC 60990 (measuring circuit Fig. 4, TN system)	<= 3.5 mA
Motor protection	Thermal overload protector (TOP) internally connected
With cable	Variable
Protection class	I (with customer connection of protective earth)
Conformity with standards	EN 61800-5-1; CE
Approval	CSA C22.2 No. 77 + CAN/CSA-E60730-1; CCC; EAC; UL 1004-3 + 60730-1

Product drawing



1	Accessory part: Inlet ring 35560-2-4013 not included in scope of delivery, other inlet rings on request
2	Max. clearance for screw 10 mm
3	Cable AWG22, 3x crimped ferrules
4	Cable AWG18, 5x crimped ferrules

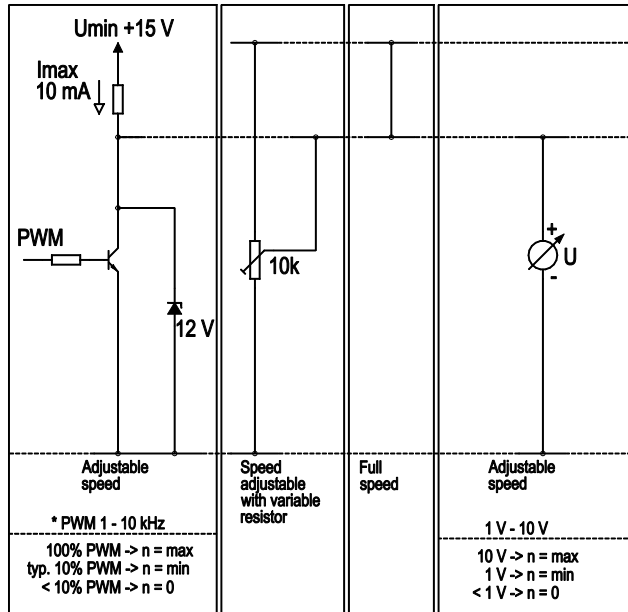
EC centrifugal fan

backward-curved, single-intake

Connection diagram

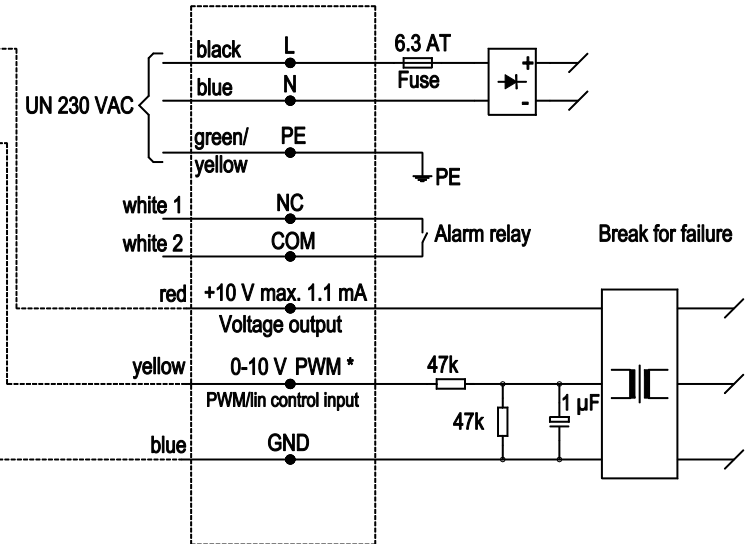
Customer circuit

Application notes for various control options

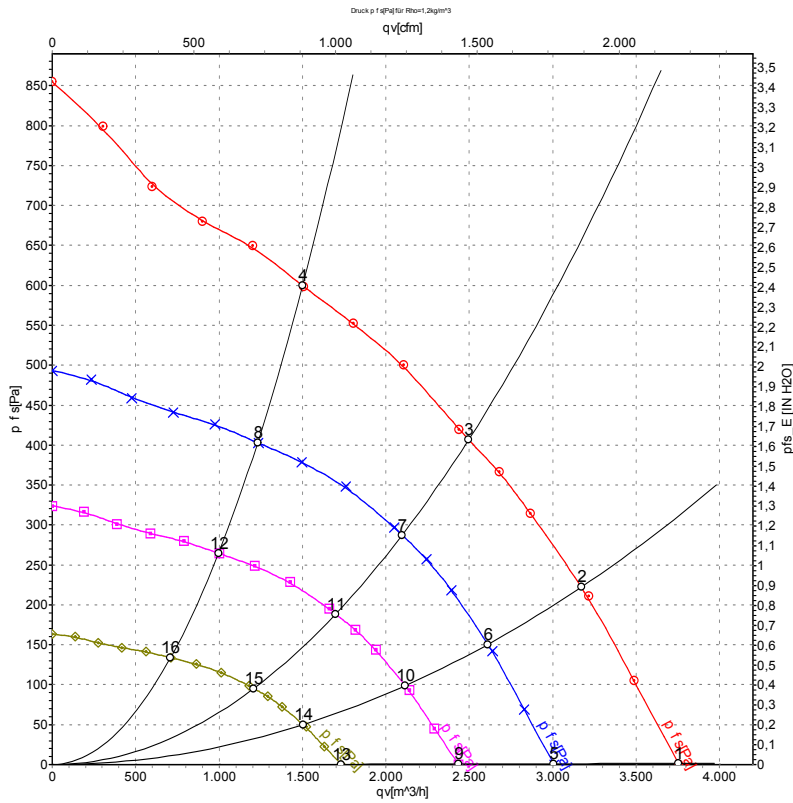


Connection

Fan / Motor



Curves: Air performance 50 Hz



Measurement: LU-68189-1

Air performance measured according to ISO 5801 installation category A. For detailed information on the measurement setup, contact ebm-papst. Intake sound level: Sound power level according to ISO 13347 / sound pressure level measured at 1 m distance from fan axis. The values given are valid under the specified measuring conditions and may vary due to conditions of installation. For deviations from the standard configuration, the parameters have to be checked on the installed unit.

Measured values

	U	f	n	P _{ed}	I	LpA _{in}	q _v	P _{fs}	q _v	P _{fs}
	V	Hz	min ⁻¹	W	A	dB(A)	m³/h	Pa	cfm	in. wg
1	230	50	1975	391	2.48	77	3750	0	2210	0.00
2	230	50	1920	468	2.95	73	3170	225	1865	0.90
3	230	50	1890	502	3.15	69	2495	405	1470	1.63
4	230	50	1925	473	2.99	71	1500	600	885	2.41
5	230	50	1580	201	1.27	71	3005	0	1770	0.00
6	230	50	1580	261	1.64	67	2610	152	1535	0.61
7	230	50	1580	298	1.89	64	2100	288	1235	1.16
8	230	50	1580	261	1.65	64	1230	403	725	1.62
9	230	50	1280	107	0.68	65	2435	0	1435	0.00
10	230	50	1280	139	0.87	61	2115	100	1245	0.40
11	230	50	1280	159	1.01	58	1700	189	1000	0.76
12	230	50	1280	139	0.88	59	995	265	585	1.06
13	230	50	910	38	0.24	55	1730	0	1020	0.00
14	230	50	910	50	0.31	52	1505	50	885	0.20
15	230	50	910	57	0.36	49	1210	95	710	0.38
16	230	50	910	50	0.32	50	710	134	415	0.54

U = Voltage · f = Frequency · n = Speed (rpm) · P_{ed} = Power consumption · I = Current draw · LpA_{in} = Sound pressure level intake side · q_v = Air flow · p_{fs} = Pressure increase



Mouser Electronics

Authorized Distributor

Click to View Pricing, Inventory, Delivery & Lifecycle Information:

[ebm-papst:](#)

[R3G355-AM29-71](#)