

REF 100-11/18

DC centrifugal compact fan

single-intake



ebm-papst St. Georgen GmbH & Co. KG

Hermann-Papst-Str. 1
D-78112 St. Georgen
Phone +49 (0) 7724 81-0
Fax +49 (0) 7724 81-1309
info2@de.ebmpapst.com
www.ebmpapst.com

Nominal data

| Type | REF 100-11/18 | |
|--------------------------|-------------------|----------|
| Nominal voltage | VDC | 48 |
| Nominal voltage range | VDC | 36 .. 60 |
| Speed (rpm) | min ⁻¹ | 5400 |
| Power consumption | W | 8.2 |
| Min. ambient temperature | °C | -20 |
| Max. ambient temperature | °C | 75 |
| Air flow | m ³ /h | 86 |
| Sound power level | B | 6.3 |

ml = Max. load · me = Max. efficiency · fa = Free air · cs = Customer specification · ce = Customer equipment
Subject to change



DC centrifugal compact fan

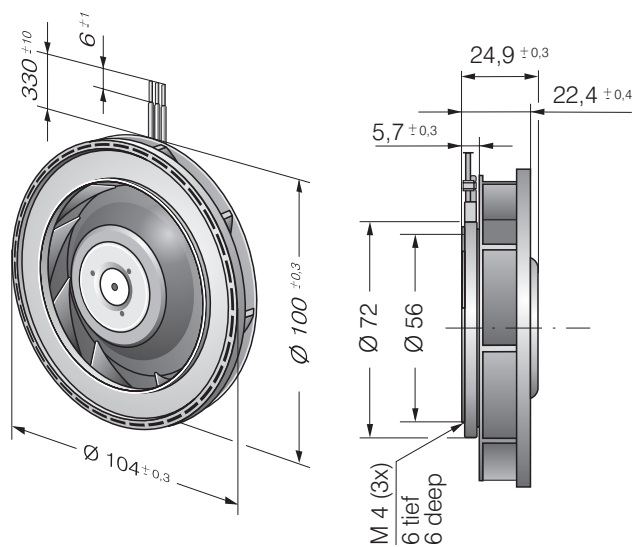
single-intake

Technical description

| | |
|--|--|
| General description | Backward-curved impeller |
| Weight | 0.160 kg |
| Dimensions | Ø 100 x 25 mm |
| Impeller material | Glass-fiber reinforced plastic |
| Housing material | Scroll housing made of glass-fiber reinforced plastic. |
| Airflow direction | Axial intake, radial discharge from outlet. |
| Direction of rotation | Clockwise, viewed toward rotor |
| Storage | Ball bearing |
| Service life L10 at 40 °C | 80000 h |
| Service life L10 at maximum temperature | 30000 h |
| Cable | With leads AWG 22, TR 64 |
| Motor protection | Protection against reverse polarity and blocked rotor. |
| Locked-rotor protection | With electronic locked-rotor and overload protection. |
| Approval | CE |
| Option | Speed signal |



Product drawing



Curves: Air performance

