

EC centrifugal fan

backward curved, single inlet

ebm-papst Mulfingen GmbH & Co. KG

Bachmühle 2

D-74673 Mulfingen

Phone: +49(0)7938/81-0

Fax: +49(0)7938/81-110

info1@de.ebmpapst.com

www.ebmpapst.com

Nominal data

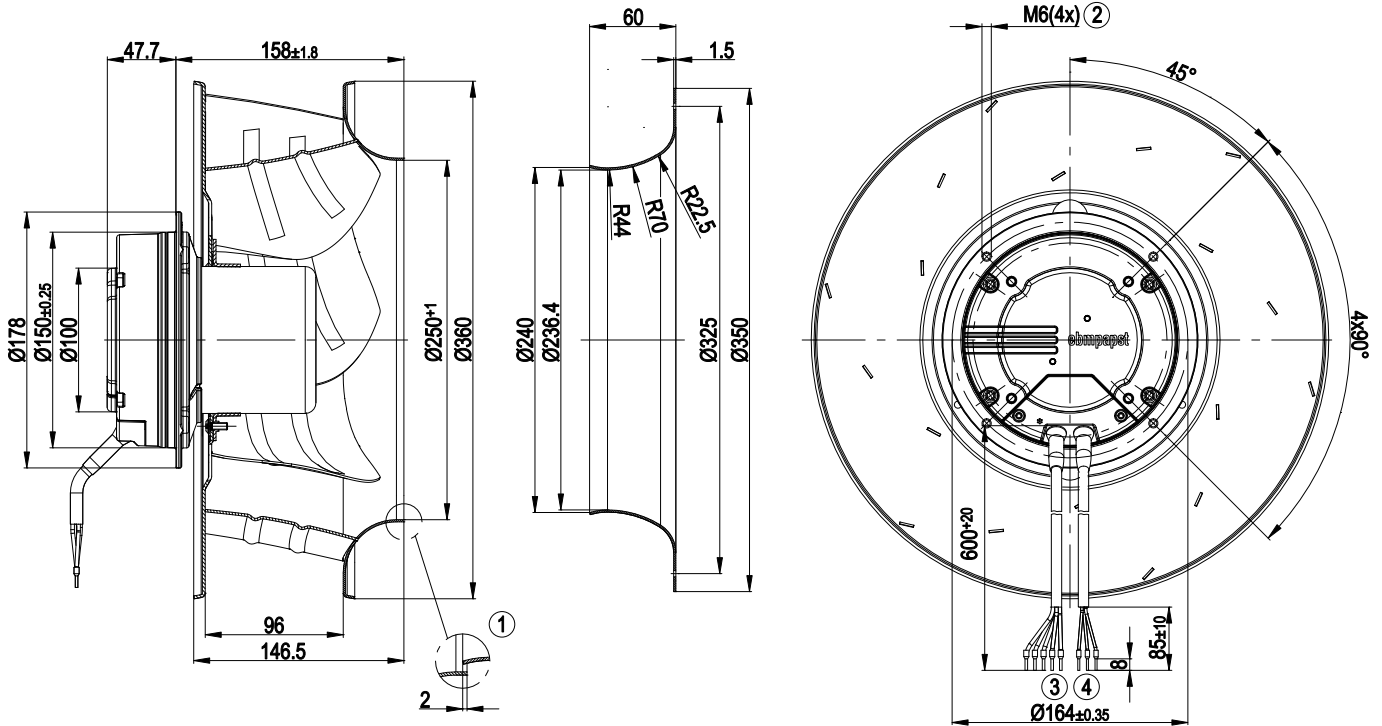
Type	R3G355-AM29-71	
Motor	M3G084-FA	
Phase		1~
Nominal voltage	[VAC]	230
Nominal voltage range	[VAC]	200 .. 277
Frequency	[Hz]	50/60
Type of data definition		ml
Speed	[min ⁻¹]	1890
Power input	[W]	502
Current draw	[A]	3.15
Min. ambient temperature	[°C]	-25
Max. ambient temperature	[°C]	40

ml = max. load · me = max. efficiency · rfa = running at free air · cs = customer specs · cu = customer unit
Subject to alterations

Technical features

Leakage current	<= 3.5 mA
Size	355 mm
Operation mode	S1
Direction of rotation	Clockwise, seen on rotor
Mounting position	Shaft horizontal or rotor on bottom; rotor on top on request
EMC harmonics	Acc. to EN 61000-3-2/3
EMC interference emission	Acc. to EN 61000-6-3
EMC interference immunity	Acc. to EN 61000-6-2
Insulation class	"B"
Cable exit	Variable
Condensate discharge holes	None
Bearing motor	Ball bearing
Mass	5.68 kg
Material of electronics housing	Die-cast aluminium
Material of impeller	Aluminium sheet
Motor protection	Thermal overload protector (TOP) wired internally
Product conforming to standard	EN 61800-5-1
Surface of rotor	Coated in black
Number of blades	6
Type of protection	IP 54
Protection class	I
Technical features	<ul style="list-style-type: none"> - Output 10 VDC, max. 1.1 mA - Alarm relay - Motor current limit - Soft start - Control input 0-10 VDC / PWM - Over-temperature protected electronics / motor - Line undervoltage detection
Max. permissible ambient motor temp. (transp./ storage)	+80 °C
Min. permissible ambient motor temp. (transp./storage)	-40 °C
Approval	CSA C22.2 Nr.77; UL 2111

Product drawing



1	Accessory part: inlet nozzle 35560-2-4013 not included in the standard scope of delivery; other inlet nozzles on request
2	Depth of screw 8 - 10 mm
3	Connection line AWG18, 5 x crimped core-end sleeves
4	Connection line AWG22, 3 x crimped core-end sleeves

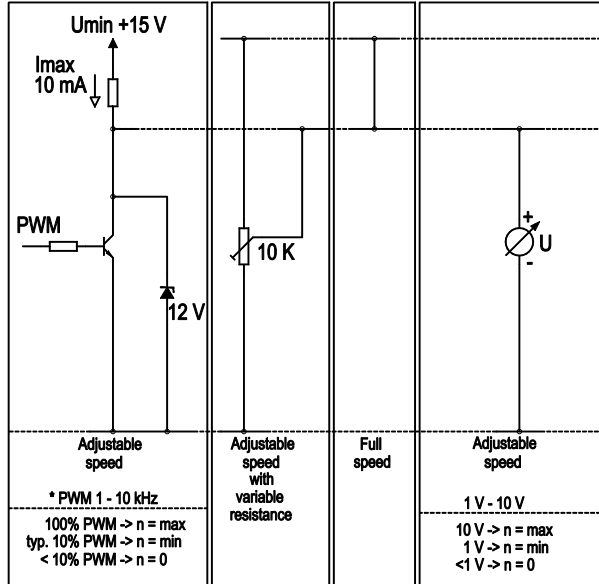
EC centrifugal fan

backward curved, single inlet

Connection screen

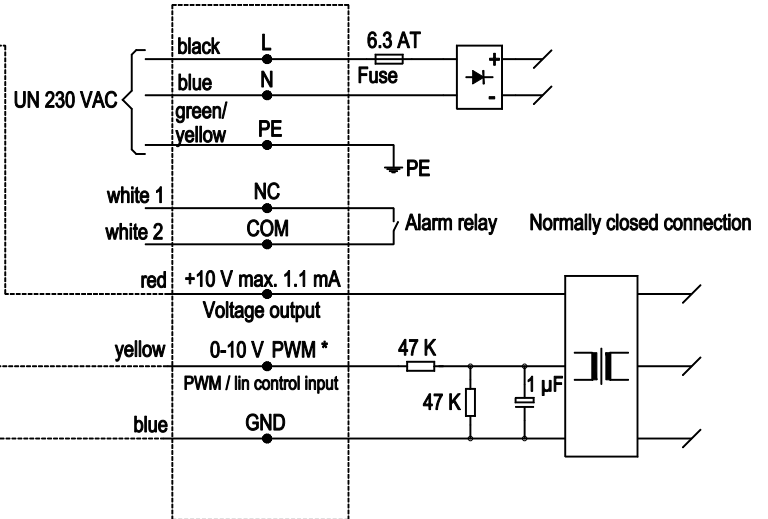
Customer circuit

Notes on various control possibilities and their applications

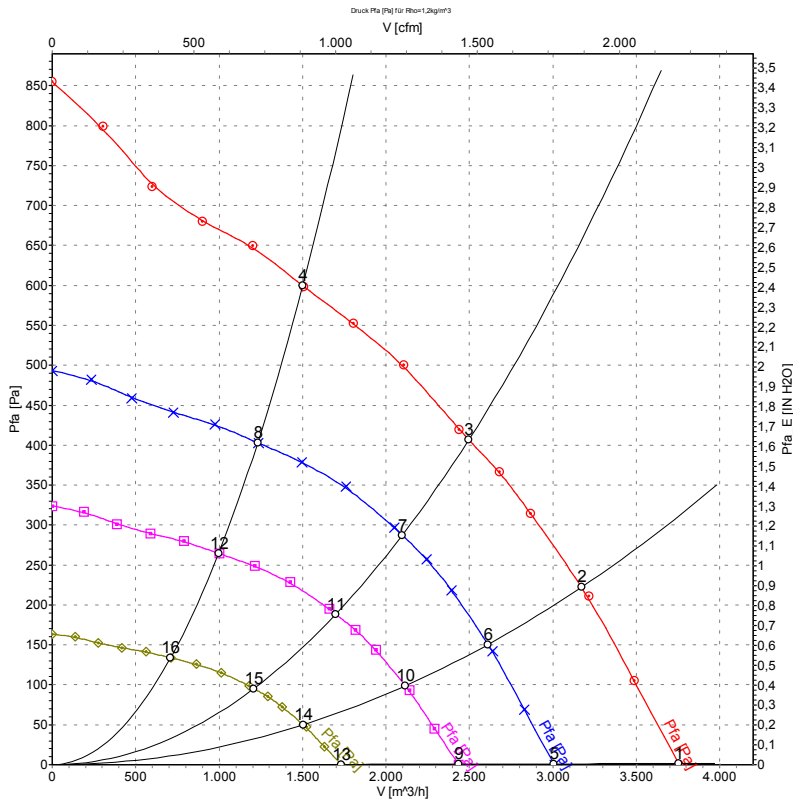


Connection

Fan / motor



Charts: Air flow 50 Hz



Measured values

	U	f	n	P ₁	I	LpA _{ss}	\hat{V}	P _{fa}
	[V]	[Hz]	[min ⁻¹]	[W]	[A]	[dB(A)]	[m³/h]	[Pa]
1	230	50	1975	391	2.48	77	3750	0
2	230	50	1920	468	2.95	73	3170	224
3	230	50	1880	502	3.18	69	2495	407
4	230	50	1925	473	2.99	71	1500	599
5	230	50	1580	201	1.27	71	3005	0
6	230	50	1580	261	1.64	67	2610	152
7	230	50	1580	298	1.89	64	2100	288
8	230	50	1580	261	1.65	64	1230	403
9	230	50	1280	107	0.68	65	2435	0
10	230	50	1280	139	0.87	61	2115	100
11	230	50	1280	159	1.01	58	1700	189
12	230	50	1280	139	0.88	59	995	265
13	230	50	910	38	0.24	55	1730	0
14	230	50	910	50	0.31	52	1505	50
15	230	50	910	57	0.36	49	1210	95
16	230	50	910	50	0.32	50	710	134