

# HST-P series

## Immersion Temperature sensor

Honeywell HST-P Series Immersion Temperature Sensors are designed for liquid temperature measurement in pipe system of HVAC. Sensors are available in a variety of length probes and wells for a variety of pipe diameters.

The HST-P series immersion temperature sensors have a variety of control signal outputs and can be compatible with a variety of automatic control systems.



## Basic parameter

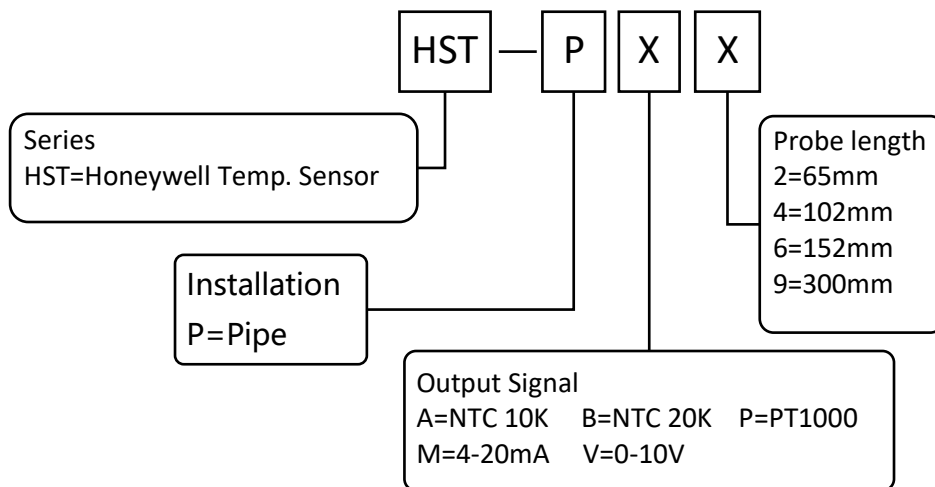
Standard Resistance	NTC 10K	10 k $\Omega$ @ 25 °C
	NTC 20K	20 k $\Omega$ @ 25 °C
	PT1000	1000 $\Omega$ @ 0°C
Temperature Element Accuracy	NTC 10K	0.3K @ 25°C
	NTC 20K	0.3K @ 25°C
	PT1000	0.2K @ 0°C
	0-10V	0.2K @ 0°C (Temp. element is PT1000)
	4-20mA	0.2K @ 0°C (Temp. element is PT1000)
Sensitivity	NTC 10K	$\geq 420\Omega @ 25^\circ\text{C}$ Non-linear
	NTC 20K	$\geq 912\Omega @ 25^\circ\text{C}$ Non-linear
	PT1000	$\geq 3.9\Omega / ^\circ\text{C}$
Measuring Temp. Range		-40 ~ 150 °C
Working environment		-40~70°C, 0~95%RH (Non condensation)
Time constant		$\leq 35\text{S}$
Power Supply	0-10V	15~35VDC/24VAC $\pm 20\%$
	4-20mA	18.5~35VDC (RL=500 $\Omega$ ) 8.5~35VDC (RL=0 $\Omega$ )
IP rated		IP65
Wiring		0.8~1.5mm <sup>2</sup>
Storage Temp.		-30 ~ 70 °C
Well connection		G1/2-14
Material	Housing	PC (Fire rating : UL94-V0, Cable entry gland UL94-V2)
	Probe and well	SS304

## Order information and Parameters

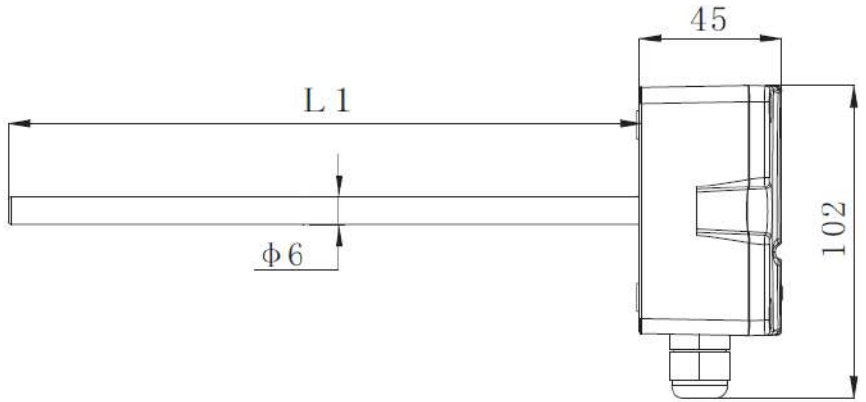
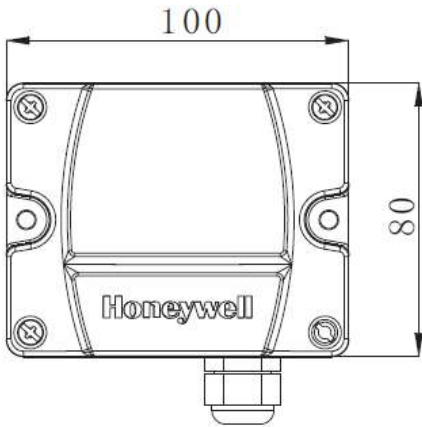
SKU	Output Signal	Probe Length	Well*
HST-PA2	NTC 10K	65mm	Containing
HST-PA4	NTC 10K	102mm	Containing
HST-PA6	NTC 10K	152mm	Containing
HST-PA9	NTC 10K	300mm	Containing
HST-PB2	NTC 20K	65mm	Containing
HST-PB4	NTC 20K	102mm	Containing
HST-PB6	NTC 20K	152mm	Containing
HST-PB9	NTC 20K	300mm	Containing
HST-PP2	PT1000	65mm	Containing
HST-PP4	PT1000	102mm	Containing
HST-PP6	PT1000	152mm	Containing
HST-PP9	PT1000	300mm	Containing
HST-PM2	4-20mA	65mm	Containing
HST-PM4	4-20mA	102mm	Containing
HST-PM6	4-20mA	152mm	Containing
HST-PM9	4-20mA	300mm	Containing
HST-PV2	0-10V	65mm	Containing
HST-PV4	0-10V	102mm	Containing
HST-PV6	0-10V	152mm	Containing
HST-PV9	0-10V	300mm	Containing

\* One sensor SKU contains sensor and well.  
 Accessory: HST-PS (Installation Seat)

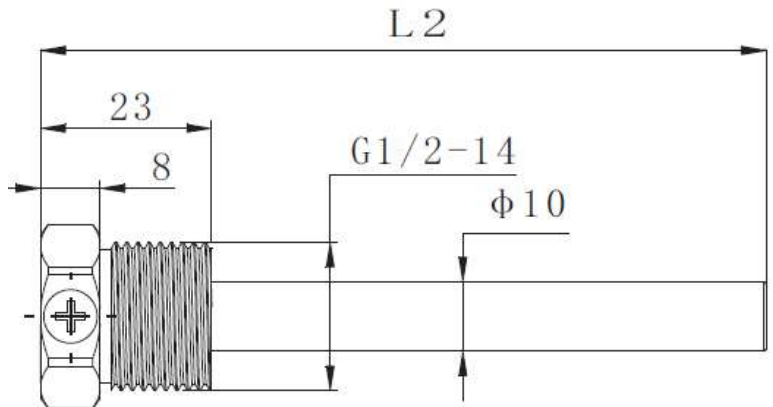
## Definition



## Dimension



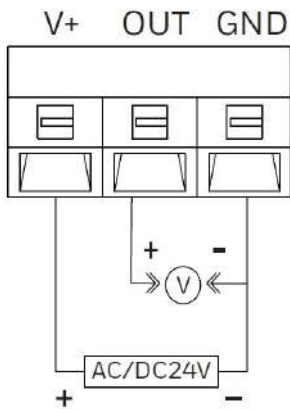
Probe Nominal length	L1	Well SKU*	Well length L2
65mm	65mm	HST-P102	65mm
102mm	102mm	HST-P104	102mm
152mm	152mm	HST-P106	152mm
300mm	300mm	HST-P109	300mm



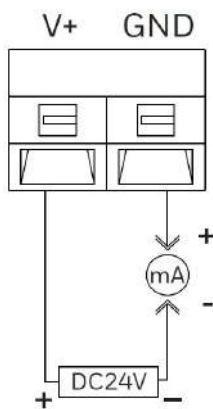
Tips: Well SKU is only for maintain ordering.

## Wiring

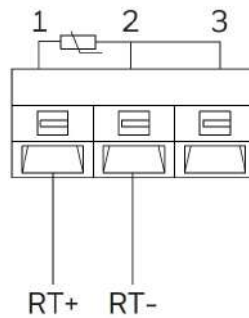
### 0-10V



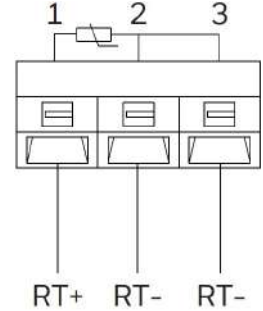
### 4-20mA



### NTC10K/NTC20K/PT1000 Two-wire Circuit



### NTC10K/NTC20K/PT1000 Three-wire Circuit



Honeywell Building Technologies

Greater China Building Business

Website: [www.honeywell.com.cn](http://www.honeywell.com.cn)

Service Hotline: 400-842-8487

© 2021 Honeywell International Inc.

All specifications are subject to change without notice.

THE  
FUTURE  
IS  
WHAT  
WE  
MAKE IT

**Honeywell**