

BUTTERFLY VALVE

(Wafer Type) PN 16 With Ductile Iron Disc

SALIENT FEATURES

- Design Standard IS 13095 / BS5155.
- Quarter Turn Lever Operated
- Ductile Iron Disc
- No Visible Leakage.
- Body liner will be renewable type for size upto DN150 and molded rubber EPDM type for size DN200 and above
- Compatible to sandwich between flanges as per ISO7005-1 (GB/T 9113)/IS 1538 (B16.5#150)1092-2

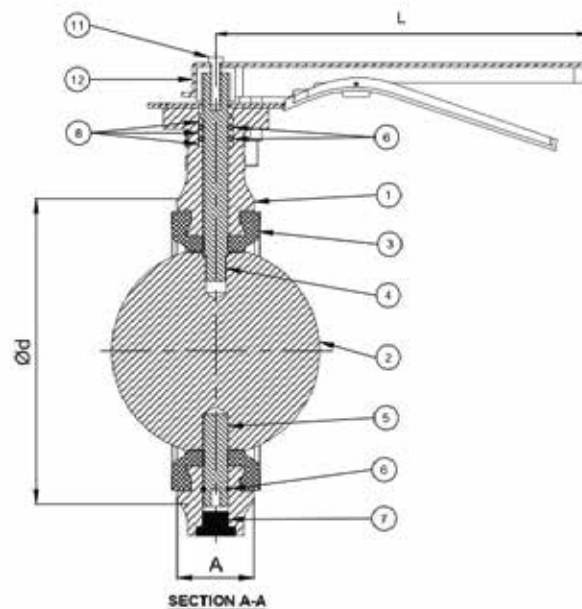
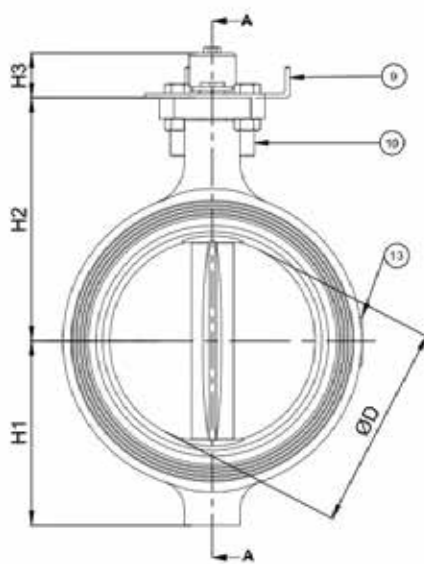


SPECIFICATIONS

Size Range	DN40 - DN300
Body Material	Upto DN250-Cast Iron (IS 210 FG 200), DN300-Ductile Iron (IS 1865 GR.400/15)
Test Pressure (Hydrostatic)	
Shell	24 Bar
Seat	17.6Bar
Maximum Working Temperature	-10°C to 110°C
Maximum Working Pressure	16 Bar
Suitable for	Water
Pressure Rating	PN16

DIMENSIONS (mm)

valve schematic



MATERIAL OF CONSTRUCTION AND MATERIAL SPECIFICATIONS

PT No.	PART NAME	MATERIAL	SPECIFICATION	QTY.
01	BODY	CAST IRON/DUCTILE IRON	IS:210,Gr. FG200/IS 1865 GR. 400/15	1
02	DISC	DUCTILE IRON	IS 1865 GR. 400/15	1
03	BODY LINING	RUBBER	EPDM	1
04	UPPER STEM	STAINLESS STEEL	ASTM A276 TYPE410	1
05	LOWER STEM	STAINLESS STEEL	ASTM A276 TYPE410	1
06	O-RING	RUBBER	EPDM	3
07	PLUG	MILD STEEL/PTFE	AISI 202	1
08	BUSH	PLASTIC	PTFE	3
09	NOTCH PLATE	MILD STEEL	ASTM A36 POWDER COATED)	1
10	FASTNER	STAINLESS STEEL	ASTM A202	2
11	SCREW	STAINLESS STEEL	ASTM A202	1
12	HANDLEVER	MILD STEEL	ASTM A36 (POWDER COATED)	1
13	NAME PLATE	ALUMINIUM	ALUMINIUM	1

OUTSIDE DIMENSIONS (MM)

SIZE	40	50	65	80	100	125	150	200	250	300
MM (INCH)	(1-1/2")	(2")	(2-1/2")	(3")	(4")	(5")	(6")	(8")	(10")	(12")
A±1	34.5	41.5	44.5	44.5	50.5	54.5	54.5	58.5	66.5	76.5
H1±1.5	61	67	74	83	100	119	132	162	216	229
H2±1.5	106	110	118	127	145	161	174	221	285	315
H3±1	28	28	34	34	39	39	39	39	42	42
L±2	175	175	216	216	267	267	267	245	420	420
φD±2	39	52	65.5	80.5	100	122.5	146.5	196	252	300
φd±0.5	83	97	111	128	160	192	213	271	325	376

For more information,

www.honeywellbuildings.in

Call: 000-8000-502167,

Email: enquiry.mms@honeywell.com, bmsindiatechsupport@honeywell.com

Honeywell HBT India Buildings

Unitech Trade Center, 5th Floor, Sector-43,
Block C, Sushant Lok Phase - I,
Gurgaon - 122 002.

IMPACT
by Honeywell